



Operating instructions

Microwave model MW025SELF

Art-Nr.: 288-1030



CONTENTS

Scope of delivery	3
Standards and guidelines	3
Technical overview	3
General notes	4
Safety instructions	5
Device installation	6
Device connection	6
Structure and parts	6
First commissioning	6
Operation - Settings (Display).....	7
Cleaning.....	7
Maintenance	7
Taking the unit out of operation / Storage / Transport	8
Troubleshooting	8
Circuit diagram.....	8
Exploded view with legend	9/10
Packaging disposal	11
Equipment disposal.....	11

Dear Customer,

Congratulations on your new SARO microwave.

The item you have purchased is designed for commercial use in restaurants, hotels, cafés, canteens and supermarkets. The microwave is particularly suitable for heating food.

Please read the operating instructions carefully before commissioning.

We hope you enjoy your new SARO product.

SCOPE OF DELIVERY

- 1 Combi microwave with turntable
- 1 Operating instructions

STANDARDS AND GUIDELINES

The unit complies with the current EU standards and directives:

Low Voltage Directive - NSP 2014/35/EU,

Electromagnetic Compatibility Directive - EMC 2014/30/EU,

RoHS Directives 2011/65/EU and 2015/863/EU.

If required, we will send you the corresponding declaration of conformity.

TECHNICAL OVERVIEW

Microwave	
Model	MW025SELF
Order no.	288-1030
Material	Stainless steel
Door(s)	1
Connection preparation	Ready to plug in with safety plug
Gross content	25 litres
Connection	230 V / 50 Hz / 1 kW
Dimensions inside	W 335 x D 364 x 312 mm
External dimensions	W 520 x D 456 X H 312 mm
Gross weight	17.7 kg
GTIN [EAN code]	4017337047680

GENERAL NOTES

- Keep these operating instructions within easy reach near the unit.
- The manufacturer/dealer cannot be held responsible for damage caused by failure to observe these operating instructions.
- If these operating instructions are not observed, the safety of the unit can no longer be guaranteed.
- If the unit is passed on to third parties, these operating instructions must also be handed over.
- This appliance must not be operated by children or persons with reduced physical, sensory or mental capabilities, as they may not understand the hazards involved in the use of electrical appliances, resulting in accidents, fire, explosion or property damage.
- After unpacking the unit, make sure that everything is in perfect condition. If you discover any damage, do not connect the unit but notify your dealer.
- Check whether all components specified in the scope of delivery are present. If this is not the case, inform your dealer.
- Keep the packaging of the unit. The unit can only be transported safely in its original packaging, e.g. for repair purposes, when moving house, etc. Note that all components of the packaging (plastic bags, cardboard, polystyrene parts, etc.) can endanger children and must therefore not be stored near them.
- If it is not possible to store the packaging, separate the different packaging materials and deliver them to the nearest collection point for proper disposal.
- Do not use the unit outdoors in the rain or in damp rooms.
- Do not operate the unit unattended.
- Observe the accident prevention regulations and general safety regulations applicable to the area of use.
- Place the unit in a dry, adequately ventilated place and on a straight, safe surface.
- Make sure there is at least 10 cm of space between the back of the microwave and the wall. Otherwise the air cannot circulate properly.
- The ventilation slots must always be kept clear and must not be covered or obstructed.
- Before connecting the appliance to the mains and before using it, clean it carefully as indicated under "Cleaning".
- Before connecting the appliance, make sure that a shockproof socket (with earth) and a 230 volt connection are available and that this corresponds to the information on the type plate. Other types of current than those specified on the type plate may cause the appliance to overheat or become defective.
- Do not drill or pierce holes in the inside or outside of the unit. The circuit could be damaged.
- The manufacturer/dealer cannot be held responsible for damage caused by failure to observe the operating instructions. Likewise, the safety of the unit is then no longer guaranteed.
- In the event of a malfunction, disconnect the appliance from the mains and inform your dealer. He will carry out the repair with original spare parts.
- Metal tableware is not suitable for use in the microwave. Use only microwaveable dishes.
- Always use oven mitts when removing food.
- Arrange the dishes carefully. Place the large portions towards the outside.
- To achieve an even cooking result, stir or rotate the food, or rearrange the food during cooking. If recommended, leave the food in the microwave for a while after cooking or defrosting.
- Cover the food during cooking. Covers prevent splashing and help to cook the food evenly.
- The usual hygiene standards for food preparation must also be observed when cooking with microwaves (storage, handling, preparation). Store ready-made meals as recommended by the manufacturer and do not use the food after the best-before date.

SAFETY INSTRUCTIONS

- Incorrect operation and improper handling can lead to malfunctions of the unit and injury to the user.
- Observe the accident prevention regulations and general safety regulations applicable to the area of use.
- Ensure that the unit stands securely on a dry, non-slip surface that is adequate for the weight of the unit and in a well-ventilated place.
- Do not expose the appliance to direct sunlight, do not place it near other heat sources (heater, cooker, oven... open fire) and/or do not place it on a hot surface.
- Do not store highly flammable or explosive substances near the appliance.
Do not carry out any work with highly flammable substances in the vicinity of the unit (no spray paint or similar). It could otherwise lead to a fire or explosion.
- The unit requires sufficient space for air circulation.
- Do not place heavy objects, loads or liquids on the unit.
- Make sure that the air inlet and exhaust openings of the appliance are always free of dirt. Check them regularly and remove any dust deposits using a Hoover.
Do not cover or block the air openings.
- Before connecting to your mains, check that the type of current and mains voltage correspond to the specifications on the type plate. Commissioning is only possible if they match in order to avoid accidents/defects.
- Do not use adapters, power strips and/or extension cords; otherwise the cables/cords can quickly overheat if other appliances are also connected. The risk of fire increases.
- Do not move the appliance during use.
- Before moving the unit, switch it off (if there is a switch for this purpose) and disconnect the mains plug.
- Always pull the cable out of the socket by the plug housing only.
- Make sure that the unit does not tilt when moving. This could lead to injuries.
- After a possible power failure or a short unplugging, switch off the unit briefly, wait 5 minutes, plug in again and start the unit.
- Do not let the mains cable hang over sharp edges, do not crush it and keep it away from hot objects and open flames.
- Make sure that it is not possible to accidentally pull on the cable or trip over it.
- Check the cable regularly. If it is damaged, e.g. by crushing, then it must be replaced by a qualified specialist.
- Do not touch the appliance, cable or plug with wet or damp hands.
- Caution! The unit is live as long as it is connected to the mains.
- Protect the unit from moisture.
- Do not clean the appliance with an open jet of water.
- Do not immerse the unit in water or other liquids or wet it with liquids.
If the unit does get wet, unplug it from the mains immediately and have it checked by a specialist before using it again. There is a danger to life from electric shock.
- A damaged unit must not be used!
In this case, disconnect the unit from the mains and contact your specialist dealer!
- Never attempt to open or repair the unit yourself. There is a danger to life!
- Do not drill or pierce a hole in the unit, either from the outside or inside.
Do not install any other appliances on the microwave and do not put any foreign things there.
- Repairs must be carried out by appropriate specialists using the original spare parts.
- Always disconnect the appliance from the mains before cleaning, and also if it is not going to be used for a long time.
- For hygienic reasons, at least daily cleaning is recommended, but also in the course of a day if necessary.
- Remove all caps and lids from jars and other containers before heating the food in them. If this is not done, heat will build up in the sealed containers and high pressure will build up. It may cause the containers to explode. Take special care when heating baby food.
- Foods with a high fat or sugar content, require less cooking time and should be constantly checked during cooking. Overheating can lead to a fire.

DEVICE INSTALLATION

Set up the unit in a dry and sufficiently ventilated room. Ensure that the unit stands securely on a dry and non-slip surface.

Place the back of the appliance at least 10 cm from the wall to ensure sufficient air circulation at all times. There should be at least 30 cm above the unit and 10 cm to each side.

Ensure that the mains plug is always freely accessible and can be disconnected from the mains without difficulty.

DEVICE CONNECTION

Before connecting the unit, make sure that the voltage and frequency of the power supply match the specifications on the type plate! Other voltages can cause the unit to overheat!!!

Only connect the appliance to an earthed socket outlet with a 230 volt connection.

After a power failure or if the unit has been disconnected from the mains, wait at least 5 minutes before reconnecting the unit and putting it into operation!

STRUCTURE AND PARTS



FIRST COMMISSIONING

Before first use:

Unpack the appliance, check that it is complete and set it up (see Setting up the appliance). Clean the appliance (see Cleaning). Connect the cleaned microwave (see appliance connection) to a 230 V socket.

OPERATION - SETTINGS

Operation

When the microwave is connected to the mains for the first time, an acoustic signal sounds and the system goes into standby mode

Once the warm-up process is complete, the system reminds the user with a beep every two minutes until the user presses any button or opens the door.

When the door is open and any button is pressed, a beep sounds to remind you to close the door.

In standby mode, press the START button once and the microwave will automatically start cooking for 1 minute. No cooking time can be added during this process.

If you press the STOP button or open the door during cooking, the programme will stop. Press the START field again to continue. If the STOP field is pressed twice, the programme is aborted.

Example:

You want to cook for 1 minute, at full microwave power:

- Place the food to be cooked in the microwave.
- Press the start button once and the cooking process starts automatically for 1 minute.

The initial temperature of food influences the cooking time required. Chilled food needs to be cooked longer than food that is already at room temperature.

The temperature of the container in which the food is placed does not give a sufficient indication of the actual temperature. Check the temperature.

The density and quantity of the food also influences the required cooking time. Note that potatoes, for example, require a longer cooking time and peas a shorter one.

CLEANING

Make sure that the unit is no longer connected to the power supply.

Wipe the outside and inside with a damp, soft cloth.

A mild washing-up liquid can be used for this purpose.

Wipe again without cleaning additive, then rub dry well.

Do not use abrasive, bleaching, corrosive or scratching cleaning agents/cleaning aids, as this could damage/scratch the surfaces.

MAINTENANCE

The microwave requires very little maintenance. Check the ventilation slots for dirt. Brush with a soft brush and at the same time vacuum up the dirt with a vacuum cleaner.

TAKING MICROWAVES OUT OF SERVICE / STORAGE / TRANSPORT

Switch off the unit, disconnect the mains plug.

Clean the appliance thoroughly inside and out and open the door to allow the appliance to dry sufficiently.

If it is dry and the unit is not to be used for a longer period of time, store it in a dry, dust-free and not hot place. It is best to cover the unit or use the original packaging to protect the unit from damage.

Secure the unit against children and pets climbing into it, so that they cannot be trapped there.

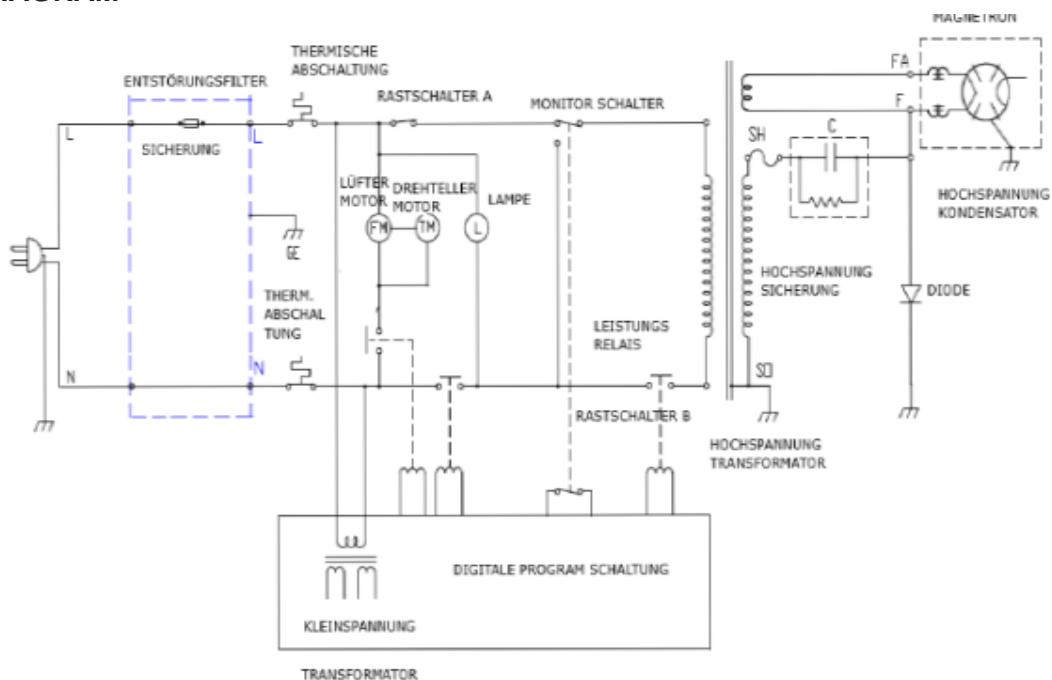
When storing only the packaging material, please note that components of the packaging such as plastic bags, cardboard, polystyrene parts, etc., can be dangerous for children if they play with them unsupervised (e.g. choking hazard). can endanger children if they play with them unsupervised (e.g. choking hazard).

When transporting the unit, it is best to use the original packaging so that the unit is optimally protected against impact, sharp edges, weather conditions, etc. Do not expose it to moisture or rain and avoid strong vibrations

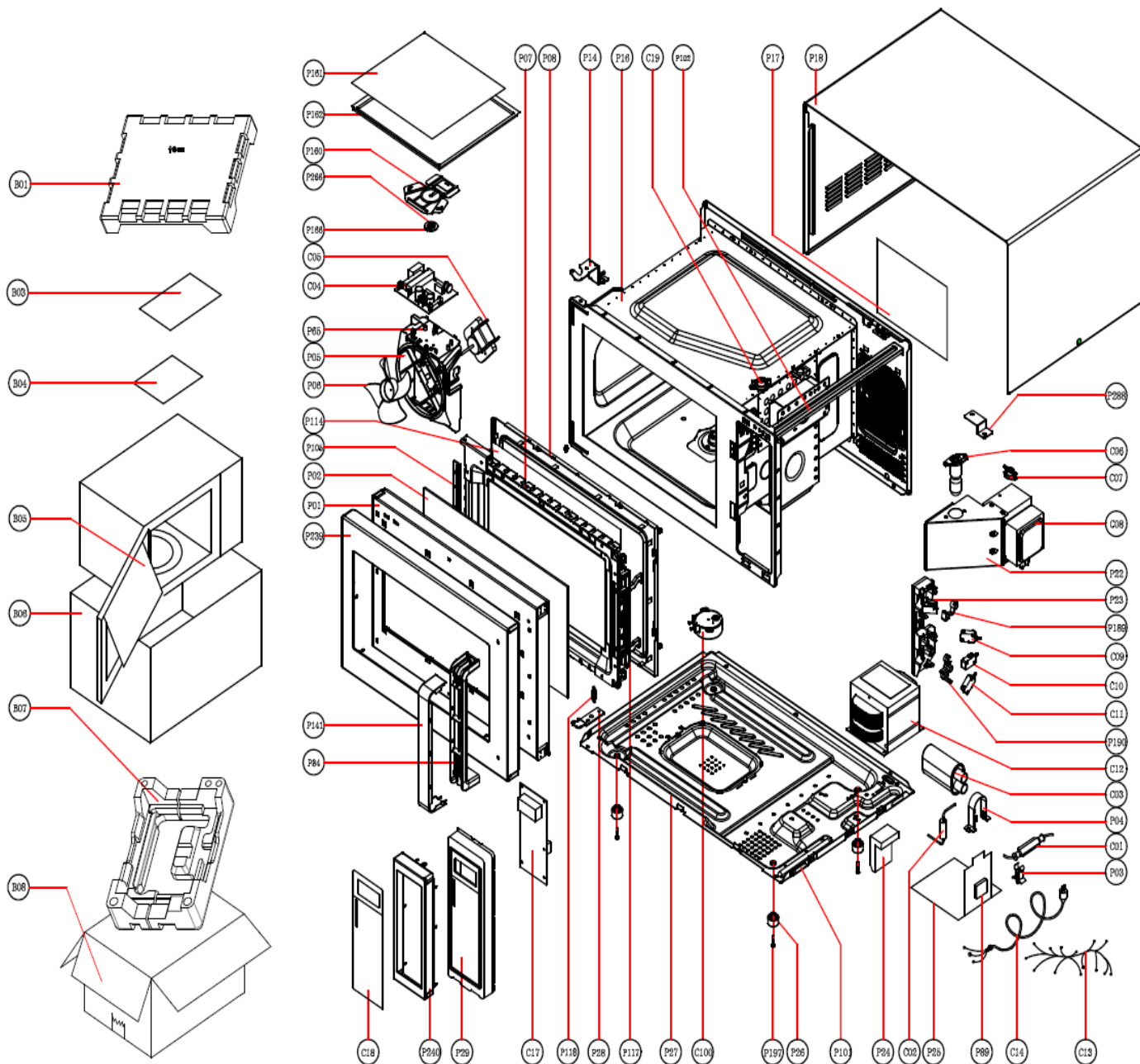
TROUBLESHOOTING

Problem	Cause and solution
Unsatisfactory warming	Direct sunlight? Is the ventilation of the environment poor? Does the door close properly? Is the door sealing strip deformed or damaged? Is there too much product inside?
Strong noises	The unit is not properly levelled. The unit is touching the wall or other objects. Something is loose on the unit. Correct the safe, straight stance and/or remove the touches.
<p>The operation of the microwave may cause interference with your radio, TV or similar equipment. If malfunctions occur, they can be reduced or eliminated by the following measures:</p> <ul style="list-style-type: none"> - Reorient the receiving antenna of the radio or TV. - Re-align the microwave oven. - Connect the microwave oven to another socket so that the microwave oven and receiver are at are located in different branch circuits. 	
Contact your dealer if the problems cannot be solved by simple troubleshooting.	

CURCUIT DIAGRAM



EXPLOSION DRAWING



EXPLOSIONSZEICHNUNG - Legende

- P01 Mounting plate
- P02 Door window
- P03 Fuse Socket
- P04 Capacitor holder
- P05 Fan shroud
- P06 Fan blade
- P07 Door frame
- P08 Metal cover frame

- C01 Fuse
- C02 Diode
- C04 Wave filter
- C05 Fan motor
- C06 Lamp
- C07 Thermostat
- C08 Magnetron
- C09 Microswitch

P14	Upper hinge	C10	Microswitch
P16	Inner box	C11	Microswitch
P17	Label	C12	Transformer
P18	Outer box	C13	Wiring harness
P22	Air duct	C14	Power Cord
P23	Microswitch mounting	C17	P.C. board
P24	Shockproof rubber	C18	Thin film switch
P25	Bracket	C19	Thermostat
P26	Foot	C100	Motor for rotary plate
P27	Base plate	B01	Upper foam cushion
P28	Lower hinge	B03	Plastic Bag
P29	Control Panel	B04	Manual
P34	Handle	B05	Protection film
P65	Noise filter bracket	B06	Plastic bag
P89	Rubber stab	B07	Lower cushion
P101	Shockproof pad	B08	Caron
P102	Bracket		
P105	Noise filter bracket		
P114	Indoor frame		
P117	Door hook		
P118	Door hook spring		
P141	Handle front cap		
P160	Antenna		
P161	Ceramic board		
P162	Seal band		
P166	Stirrer bracket		
P189	Upper rotary arm		
P190	Lower rotary arm		
P197	Foot fixing		
P239	Outer door frame		
P240	Board covering		
P266	Axis		
P288	Magnetron bracket		

PACKAGING DISPOSAL



Please separate the packaging materials accordingly and send them to the responsible collection points. for recycling and environmental protection.

EQUIPMENT DISPOSAL



Once the appliance has reached the end of its service life, please dispose of it properly at a collection point for electrical appliances.

Electrical appliances do not belong in household waste.

Your local administration will inform you about the addresses and opening hours of collection points.

This is the only way to ensure that old appliances are disposed of and recycled properly.

Thank you very much!

Diese Tabelle können Sie für Ihren eigenen, eventuell späteren Bedarf ausfüllen und nutzen.

Unit designation	Mikrowelle	Model name:	MW025SELF
Order number From the type plate	288-1030	Serial number From the type plate	
If applicable Refrigerant From the type plate		If shown separately Production date From the type plate	
Bought on:		Telephone number of the seller	
Bought where: (name of the dealer)		If available E-mail address of the seller	
Possibly Name of the seller		More notes	

**Made in P.R.C for:**

Dealer: SARO Gastro-Products GmbH
 Sandbahn 6, 46446 Emmerich am Rhein, Germany
 Tel. +49 (0) 2822 9258-0
 Fax +49 (0) 2822 18192
 E-Mail info@saro.de
 Web www.saro.de

Note: Technical / design / model changes and errors excepted.