

NÜRNBERG

SPARE PARTS & MAINTENANCE MANUAL



Item number: 440-1015

NÜRNBERG

SPARE PARTS & MAINTENANCE MANUAL

INHALTSTABELLE

GENERELLE INFORMATIONEN	4
AUFSTELLUNGSZEICHNUNG	8
ELEKTRISCHE ZEICHNUNG	9
MONTAGE DER ERSATZTEILE	10

TABLE OF CONTENTS

GENERAL INFORMATION	5
INSTALLATION DRAWING	8
ELECTRICAL DRAWING	9
SPARE PARTS ASSEMBLY	10

TABLE DES MATIÈRES

GÉNÉRALITÉS	6
PLAN D'INSTALLATION	8
PLAN DE MONTAGE ÉLECTRIQUE	9
MONTAGE DES PIÈCES DE RECHANGE	10

TABLE DES MATIÈRES

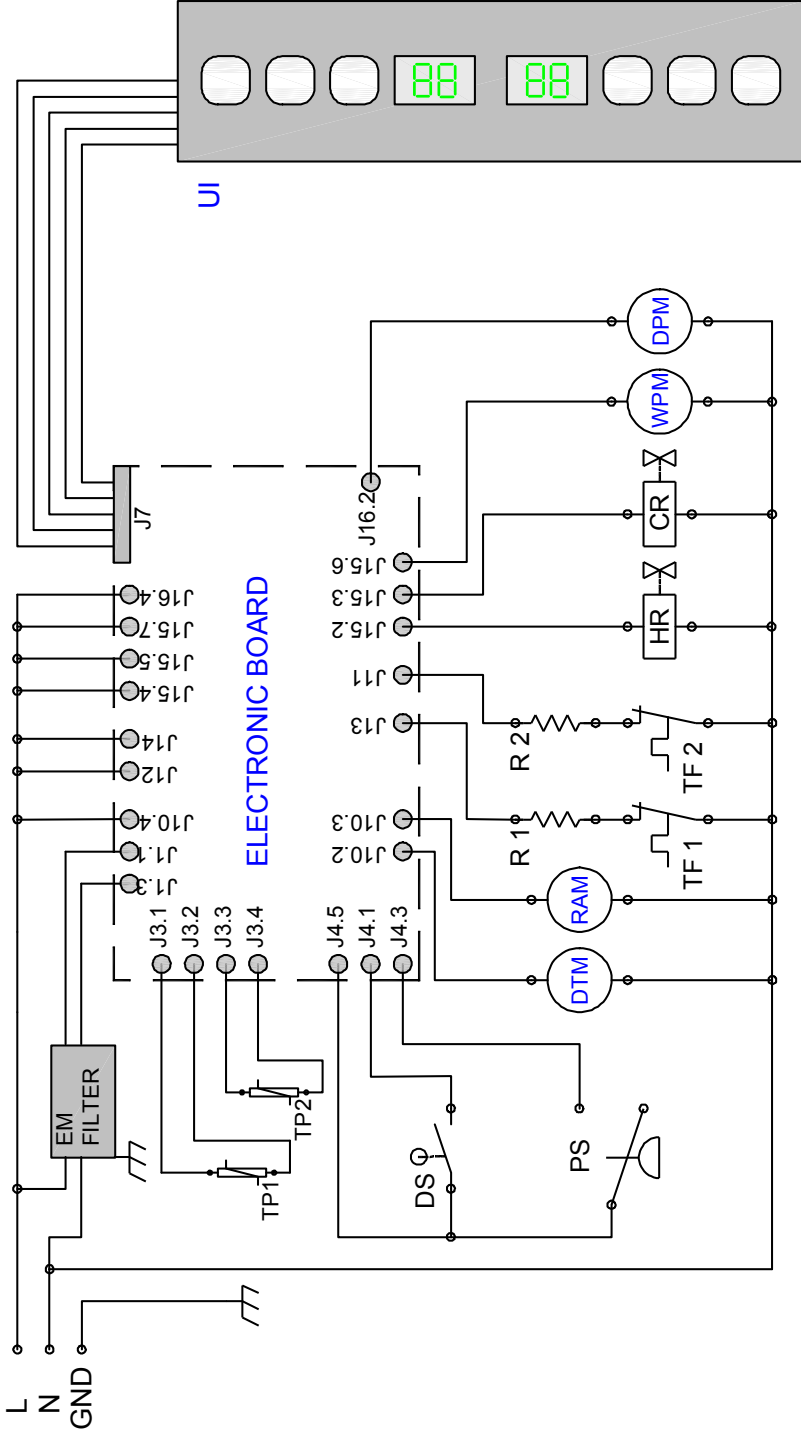
INFORMACIÓN GENERAL	7
DISEÑO DE INSTALACIÓN	8
DISEÑO ELÉCTRICO	9
MONTAJE DE PIEZAS DE RECAMBIO	10

Model	NÜRNBERG
Power Supply	230 50/60 Hz
Max Power	3,6 Kw
Max Load	15,4 A
Boiler Heater	3 Kw
Tank Heater	2,8 Kw
Boiler Capacity	6 Lt
Tank Capacity	35 Lt
Water Consumption per cycle	1,7 Lt
Ex. Dimensions	570 x 600 x 830 mm
Basket Size	500 X 500 mm
Washing Programms	60 / 120 /180 sec
Overview Accessories	2 baskets for glasses
	4 leveling feet
	1 Cutlery basket
	1 Water inlet hose
	1 Pressure reducer
Wasch and Rinse Group	Stainless steel
Pump Motor	0,75 hp
Detergent Feeder	Std peristaltic
Rinse Aid Feeder	Std peristaltic
Boiler Thermofuse	105° C thermofuse
Tank Thermofuse	99° C Thermofuse
Boiler's Thermometer	std electronic
Tank's thermometer	std electronic
Draining Pump	std
Maximum Glass Height	325 mm
Maximum Dish Height	335 mm
Maximum Noise	67,2 dB

Model	NÜRNBERG
Stromversorgung	230 V 50/60 Hz
Max. Leistung	3,6 Kw
Max. Belastung	15,4 A
Boiler-Heizung	3 Kw
Tank-Heizung	2,8 Kw
Boiler-Kapazität	6 Lt
Tank-Kapazität	35 Lt
Wasserverbrauch pro Zyklus	1,7 Lt
Externe Dimensionen	570 x 600 x 830 mm
Korbgröße	500 X 500 mm
Waschprogramme	60 / 120 / 180 sec
Überblick der Zubehörteile	2 Körbe für Gläser
	4 Einebnungsangel
	1 Messerkorb
	1 Wassereinlaufschlauch
	1 Druckminderer
Wasch- und Spülgruppe	Edelstahl
Pumpenmotor	0,75 hp
Spülmittelaufgeber	Std peristaltic
Klarspüleraufgeber	Std peristaltic
Boilerthermosicherung	105° C Thermosicherung
Tankthermosicherung	99° C Thermosicherung
Boilerthermometer	Std electronic
Tankthermometer	Std electronic
Ablaufpumpe	std
Max. Glashöhe	325 mm
Max. Tellerhöhe	335 mm
Max. Geräusch	67,2 dB

Modèle	NÜRNBERG
Alimentation	230 V 50/60 Hz
Puissance max	3,6 Kw
Charge max	15,4 A
Élément chauffant ballon	3 Kw
Élément chauffant cuve	2,8 Kw
Capacité du ballon	6 L
Capacité de la cuve	35 L
Consommation d'eau par cycle	1,7 Lt
Dimensions Ext.	570 x 600 x 830 mm
Dimensions Panier	500 X 500 mm
Programmes de lavage	60 / 120 /180 sec
Liste d'Accessoires	2 paniers à verres
	4 pieds réglables
	1 panier à couverts
	1 tuyau d'arrivée d'eau
	1 réducteur de pression
Ensemble lavage et rinçage	acier inoxydable
Moteur de pompe	0,75 hp
Réservoir à détergent	Std peristaltic
Réservoir à liquide de rinçage	Std peristaltic
Fusible thermique du ballon	Fusible thermique 105° C
Fusible thermique de la cuve	Fusible thermique 99° C
Thermomètre du ballon	Std electronic
Thermomètre de la cuve	Std electronic
Pompe de vidange	std
Hauteur maximale des verres	325 mm
Hauteur maximale des assiettes	335 mm
Bruit maximal	67,2 dB

Tipo	NÜRNBERG
Suministro Eléctrico	230 V 50/60 Hz
Potencia Máxima	3,6 Kw
Carga Máxima	15,4 A
Calentador de Caldera	3 Kw
Calentador de Cuba	2,8 Kw
Capacidad de Caldera	6 Lt
Capacidad de Cuba	35 Lt
Consumo de Agua por ciclo	1,7 Lt
Dimensiones exteriores	570 x 600 x 830 mm
Tamaño de Cesto	500 x 500 mm
Programas de Lavado	60 / 120 /180 segundos
Accesorios incluidos	1 cesto para platos y 1 cesto para vasos
	4 patas de nivelación
	1 cesto de cuchillería
	1 manguera de entrada de agua
	1 reductor de presión
Grupo de Lavado y Aclarado	acero inoxidable
Motor de bomba	0,75 hp
Dosificador de detergente	estándar
Dosificador de abrillantador	neumático
Fusible Térmico de Caldera	Fusible térmico de 105° C
Fusible Térmico de Cuba	Fusible térmico de 99° C
Termómetro de Caldera	estándar analógico
Termómetro de Cuba	estándar analógico
Bomba de Drenaje	std
Altura máxima de vasos	325 mm
Altura máxima de platos	335 mm
Ruido máximo	67,2 dB

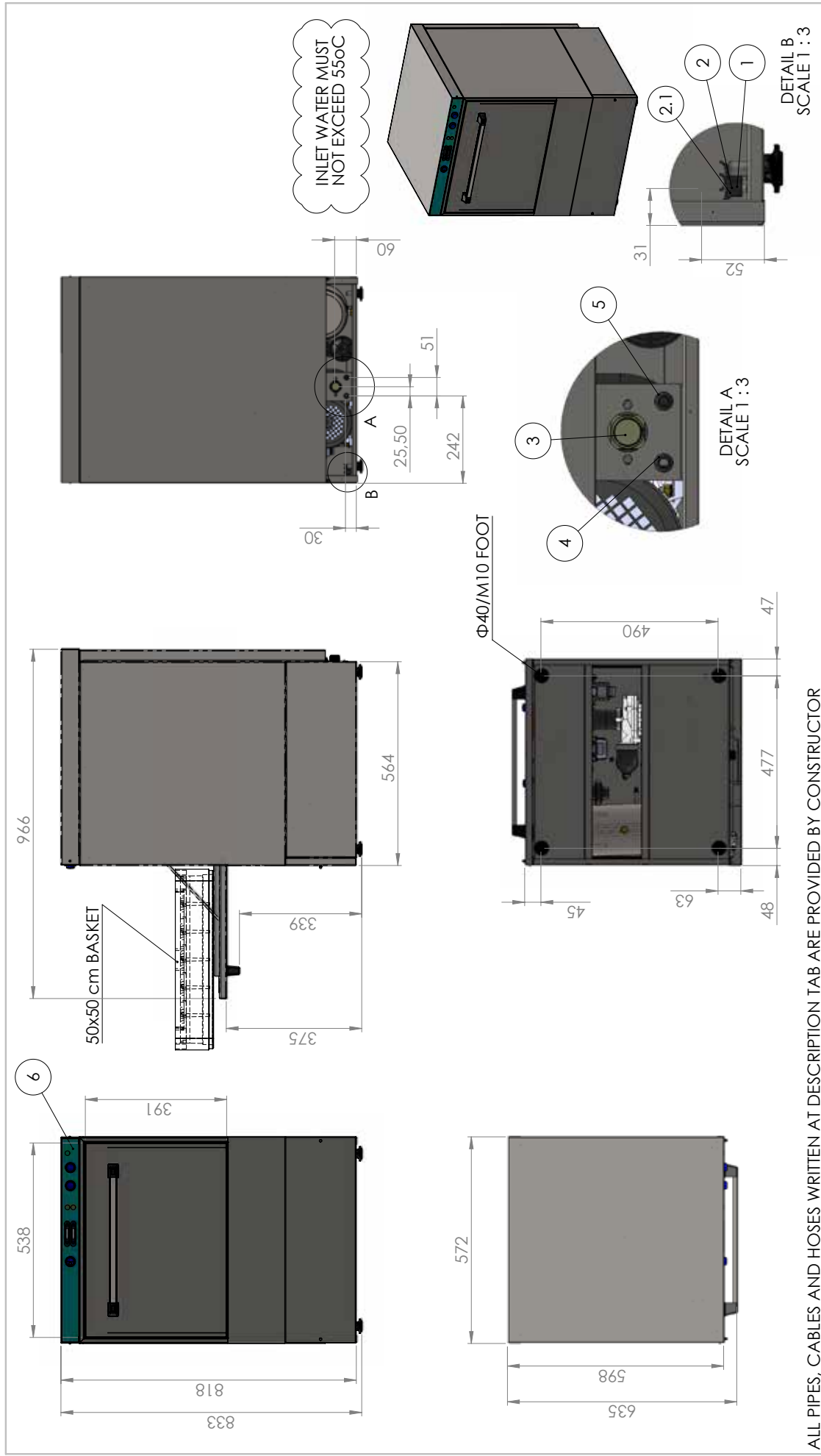


ELECTRICAL DIAGRAM
A - 500 SF
SIMPLE PRESSURE

220-240 Volt AC 50/60 Hz

- EMF : Electromagnetic filter
- UI : Users interface
- DS : Door switch
- PS : Tank pressostat
- TP1 : Boiler's thermo probe
- TP2 : Tank's thermo probe
- DTM : Detergent pump motor
- RAM : Rinse aid pump motor

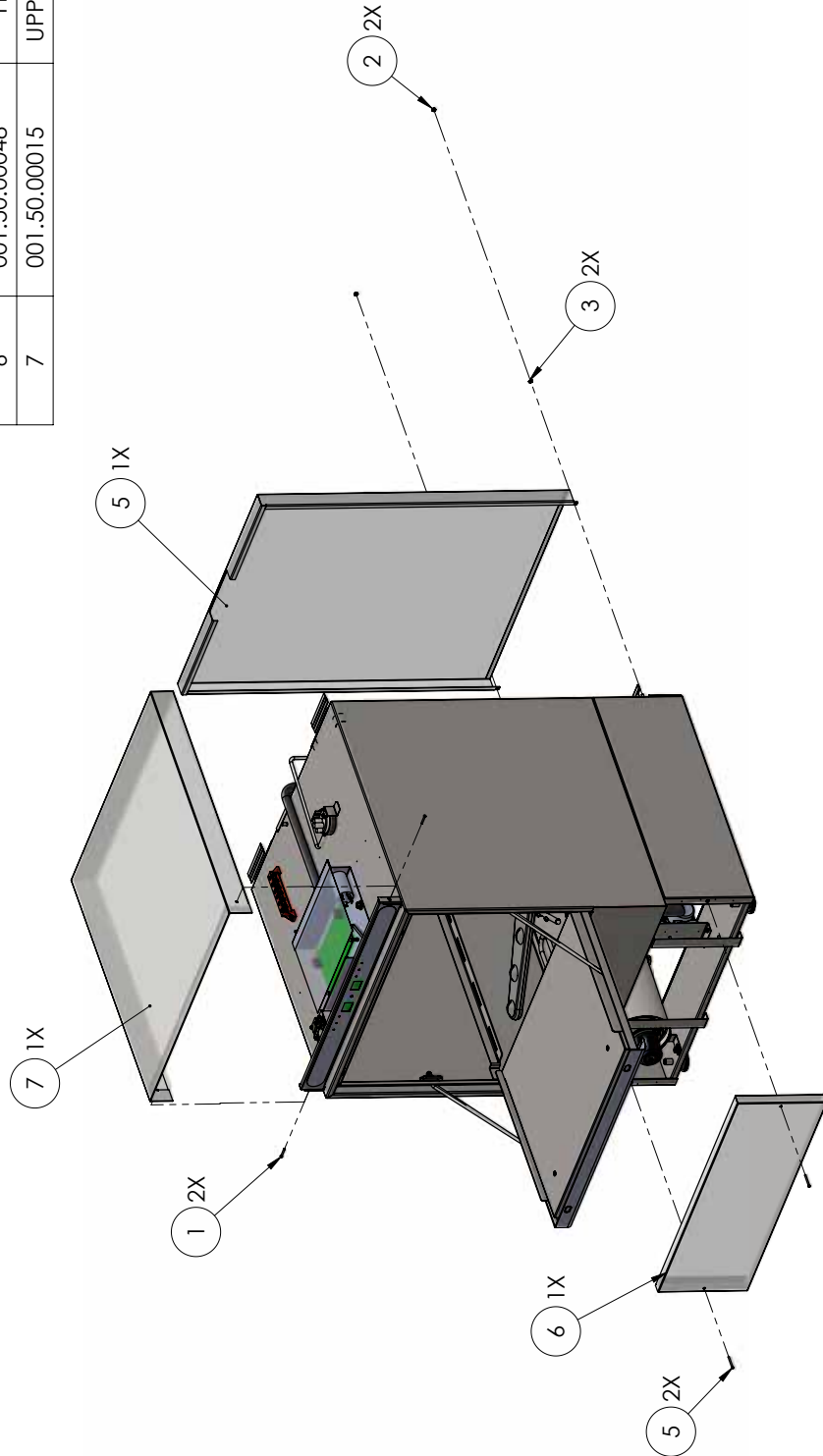
- TF1 : Boiler's Thermofuse
- TF2 : Tank's Thermofuse
- CRV : Cold rinse valve
- HRV : Hot rinse valve
- RPM : Rinse pump motor
- WPM : Wash pump motor
- DPM : Drain pump motor
- R1 : Booster's heating element
- R2 : Tank's heating element



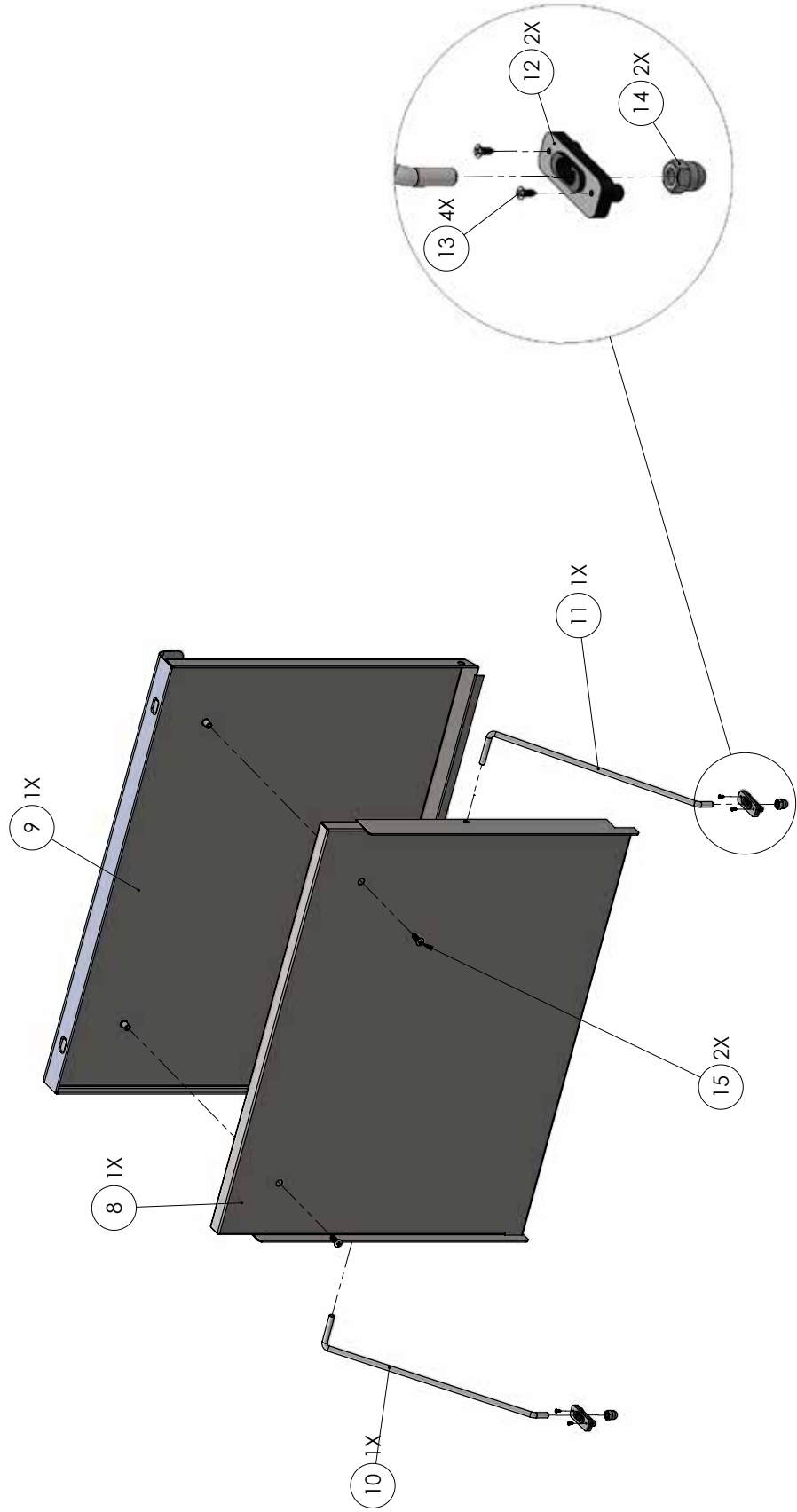
ALL PIPES, CABLES AND HOSES WRITTEN AT DESCRIPTION TAB ARE PROVIDED BY CONSTRUCTOR

Customer:		A/A		DESCRIPTION		BUBBLE INFORMATION		NOTE	
Order Date:		1.		Electrical Supply Connection cable Pos.		PVC Coated H05 VVF 3 x 2,5mm, Cable Length = 2m			
Or. Number:		2.		Draining Pipe (1,6m) Ø28 Outer Ø20 Inner Pos.		Used Only for Free Flow, Drainage Without Pump			
Series Description: UNDERCOUNTER		2.1		Max. Amp./ Phase		Max. Loading (KW)			
Model Description: VERGINA 50		3.		Voltage (V)		Weight (KG)			
Model Version: 230 V		4.		Gross		Net			
Drawing Code: 004-50.0000P		5.		230V-1N-50/60HZ		55			
Drawing Date: 26/5/15		6.		Capacity (LT)		60			
Various Information:		Boiler		Tub		35			
		6.		Control Panel					
		Inlet Male Nozzle Threaded End G3/4" for Water Supply							
		4.		Rinse Aid Flexible Pipe Pos. (Blue Color)					
		5.		Detergent Flexible Pipe Pos. (Crystal Color)					
		Outer Diameter		Φ6 x 1400mm Length					
		Outer Diameter		Φ6 x 1400mm Length					

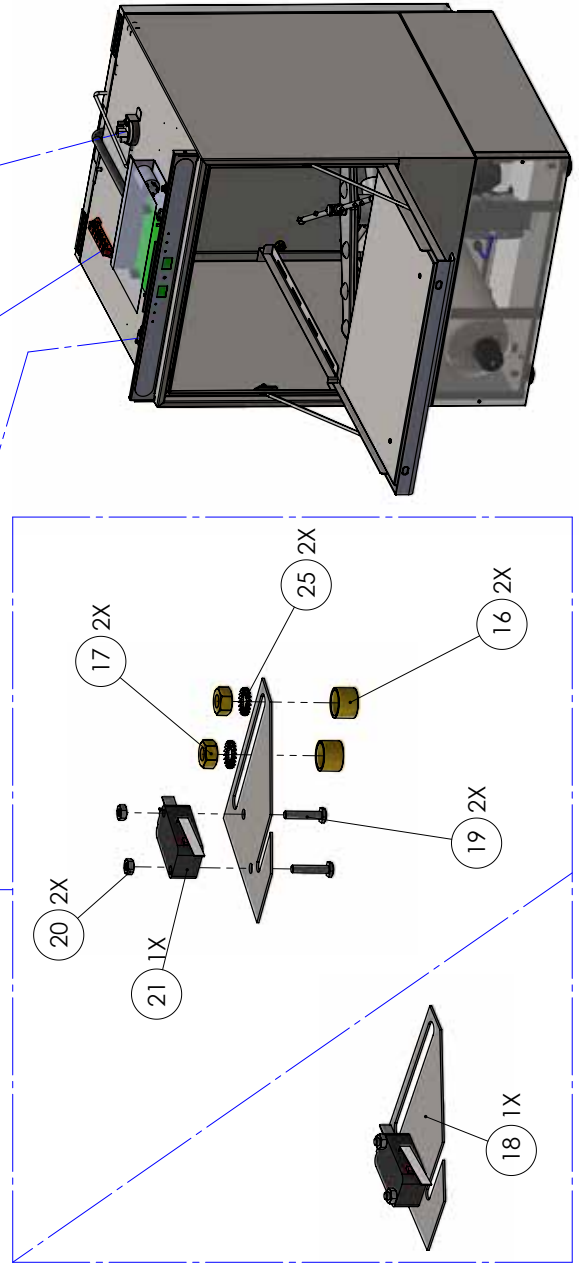
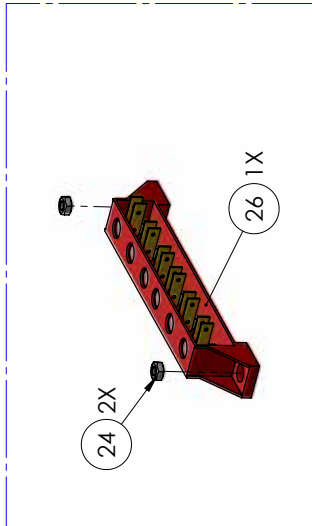
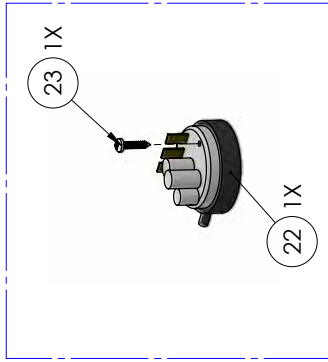
ITEM NO.	PART NUMBER	DESCRIPTION	QTY.
1	001.00.00213	INOX SCREW M4X15	2
2	002.00.00095	INOX NUT M4	2
3	002.00.00140	LOCK WASHER INOX $\Phi 4$	2
4	001.50.00043	BACK COVER INOX V50 - K50	1
5	001.00.00261	INOX SCREW M4X30	2
6	001.50.00048	FRONT COVER INOX V50	1
7	001.50.00015	UPPER COVER INOX V50 - K50	1



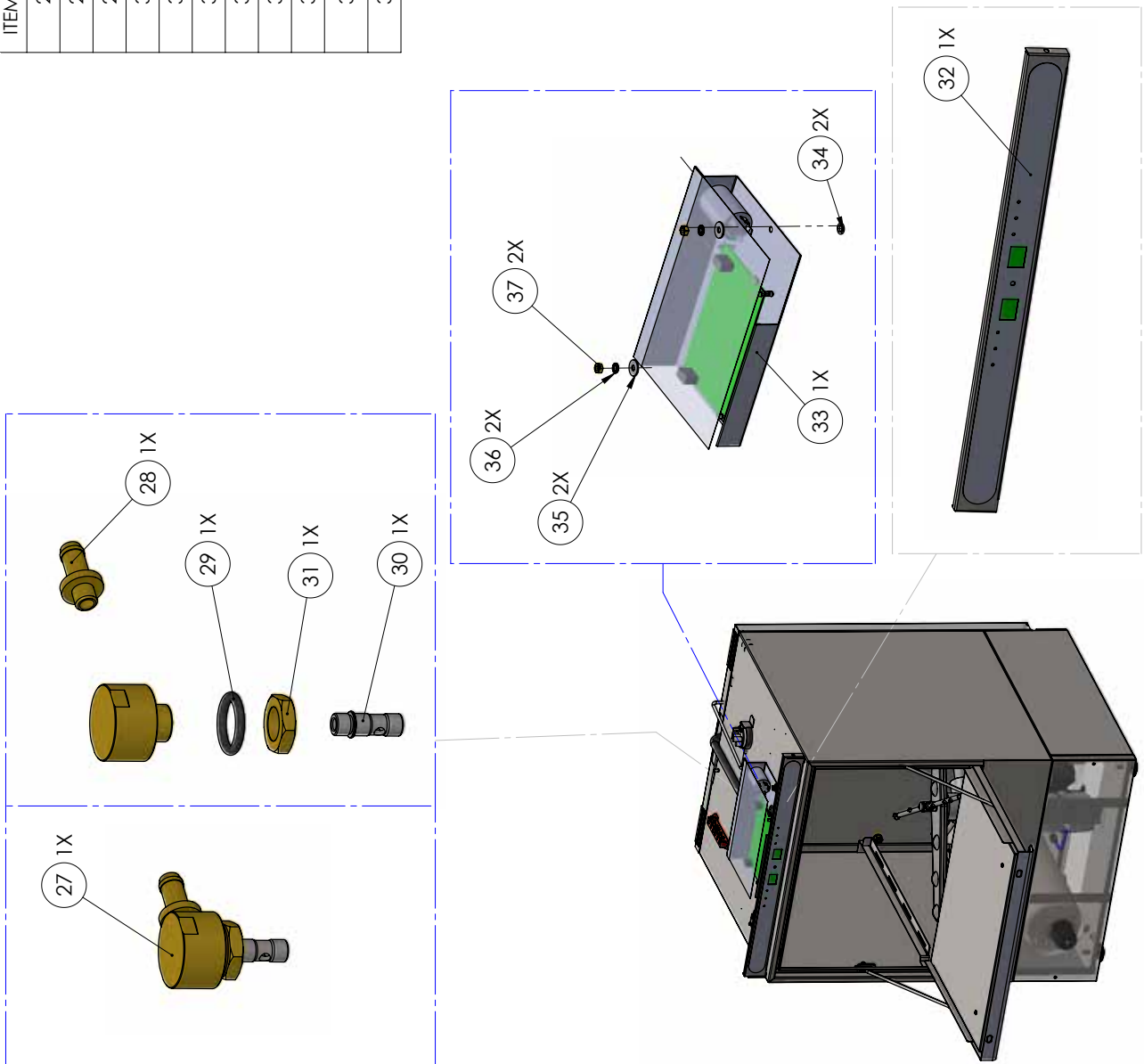
ITEM NO.	PART NUMBER	DESCRIPTION	QTY.
8	001.50.00011	BACK PART OF THE DOOR V-K	1
9	001.50.00027	FRONT PART OF THE DOOR V-K	1
10	001.00.00048	DOOR RIGHT SUPPORT AXLE M6X300	1
11	001.00.00048-M	DOOR LEFT SUPPORT AXLE M6X300	1
12	001.00.00221	PLASTIC GUIDE FOR DOOR AXLE	2
13	001.00.00073	INOX SCREW 2,9 X 10	4
14	001.00.00110	DOMED CAP NUT M6	2
15	001.00.00262	INOX TAPPERD SCREW M5X16	2



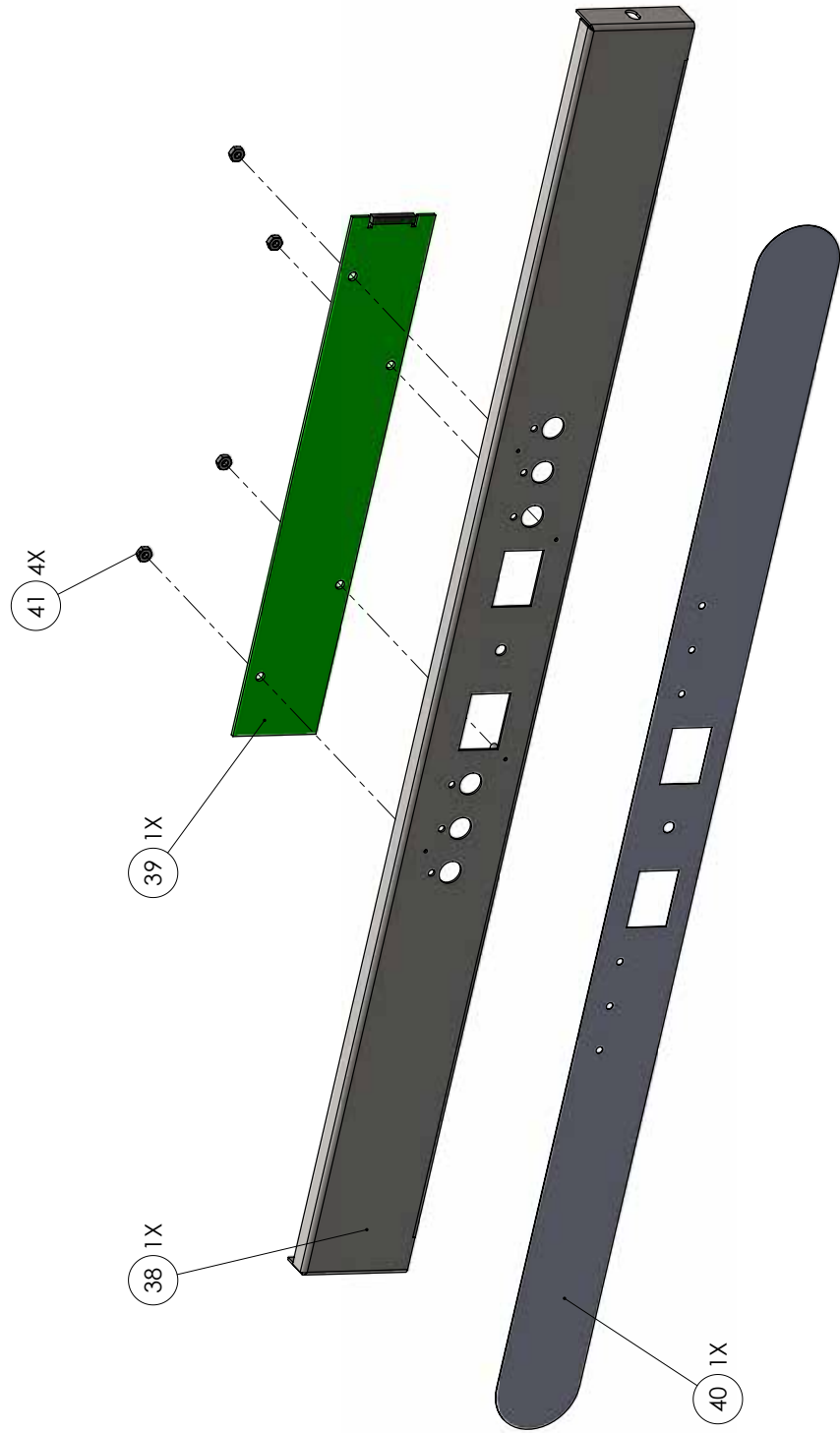
ITEM NO.	PART NUMBER	DESCRIPTION	QTY.
16	003.00.00085	SPACER FOR DOOR SWITCH	2
17	003.00.00041	NUT M6 GALVANISED	2
18	003.00.00574	DOOR SWITCH ELECTRICAL PART COMPLETE	1
19	003.00.00065	GALV. HEX. BOLT M3X16	2
20	002.00.00090	GALV. NUT M3	2
21	003.00.00515	DOOR MICROSWITCH 16A	1
22	003.00.00033	PRESSOSTAT	1
23	002.00.00207	TAPPING SCREW 4,2 X 19	1
24	003.00.00046	NUT M4 (GALV)	2
25	001.00.00204	GALVANIZED LOCK WASHER 6,4x11x0,7	2
26	003.00.00030	POWER SUPPLY BOARD 6CON	1



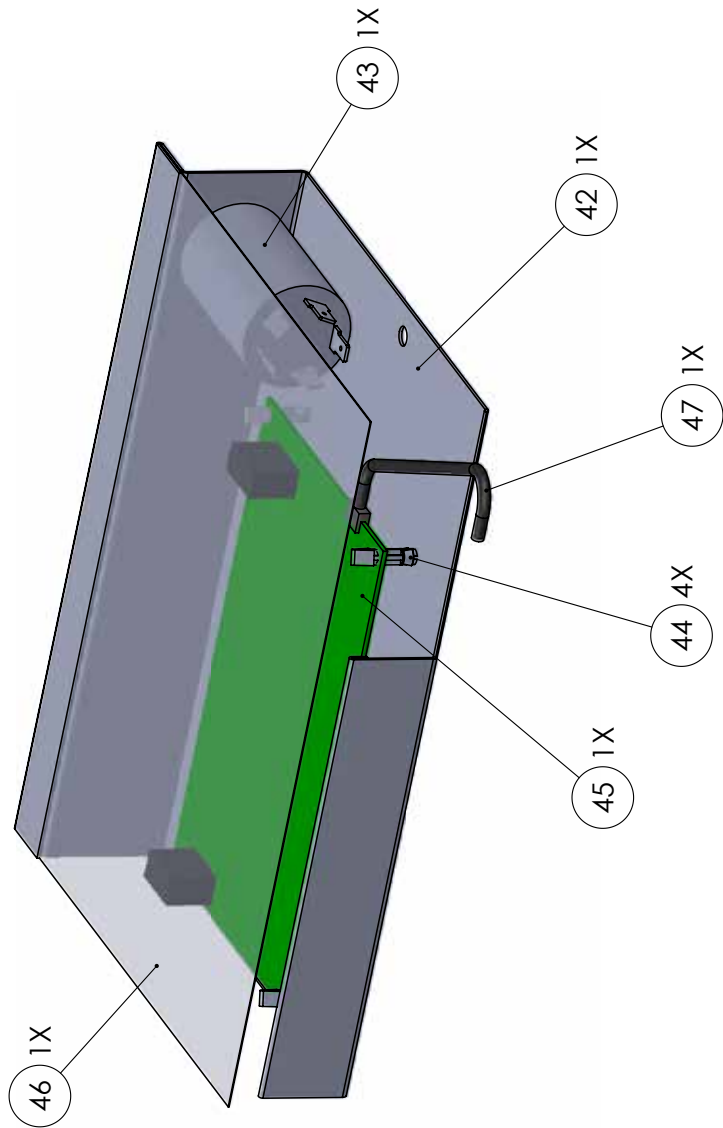
ITEM NO.	PART NUMBER	DESCRIPTION	QTY.
27	002.35.00029	UPPER RINSING BASE COMPLETE	1
28	002.00.00001	FITTINGS 1/4X10	1
29	002.00.00097	O-RING 20X4	1
30	002.50.00012	INOX AXLE RINSE BASE BL,VE,KN	1
31	002.00.00065	NUT 3/8	1
32	003.50.00027	CONTROL PANEL COMPLETE A500	1
33	003.50.00036	BOARD PANEL COMPLETE A500	1
34	001.00.00045	TEFLON WASHER Φ 12,5 X 8 X 2,5	2
35	003.00.00516	WASHER STEEL Φ 6X18	2
36	001.00.00204	GALVANIZED LOCK WASHER 6,4x11x0,7	2
37	003.00.00041	NUT M6 GALVANISED	2

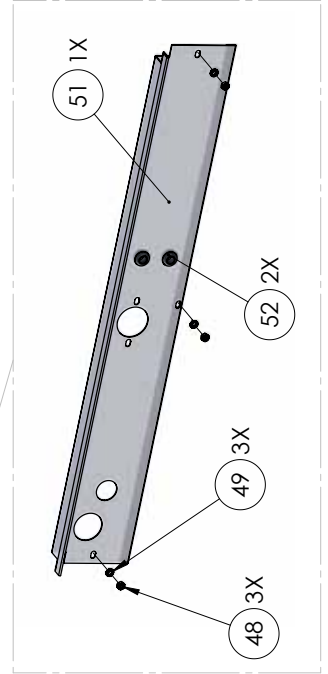
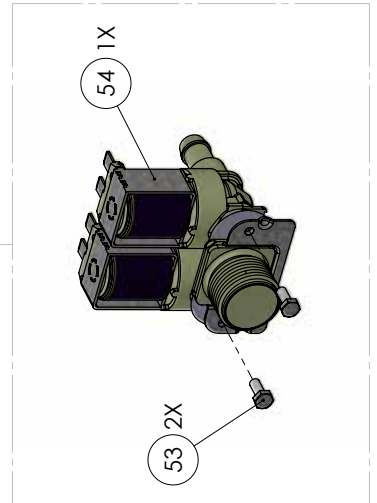
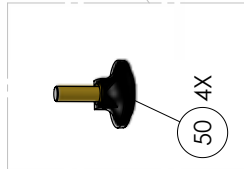
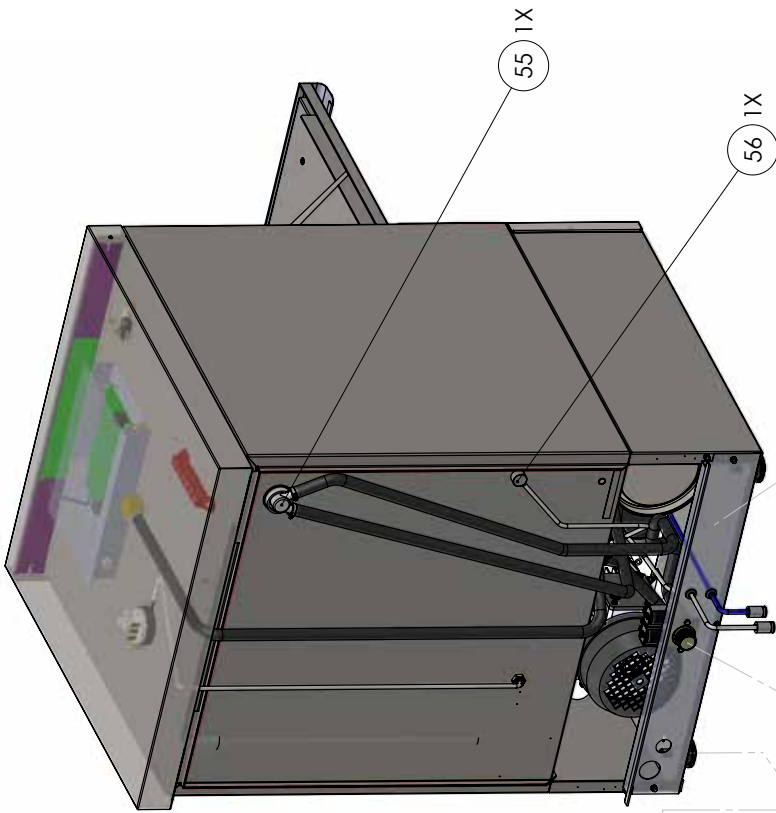


ITEM NO.	PART NUMBER	DESCRIPTION	QTY.
38	001.50.00044	SWITCH PANEL INOX V50	1
39	003.00.00609	USER INTERFACE 7 SEG. DISPLAY VERSION	1
40	003.50.00026	FILM FOR A500 (LCD)	1
41	002.00.00090	GALV. NUT M3	4



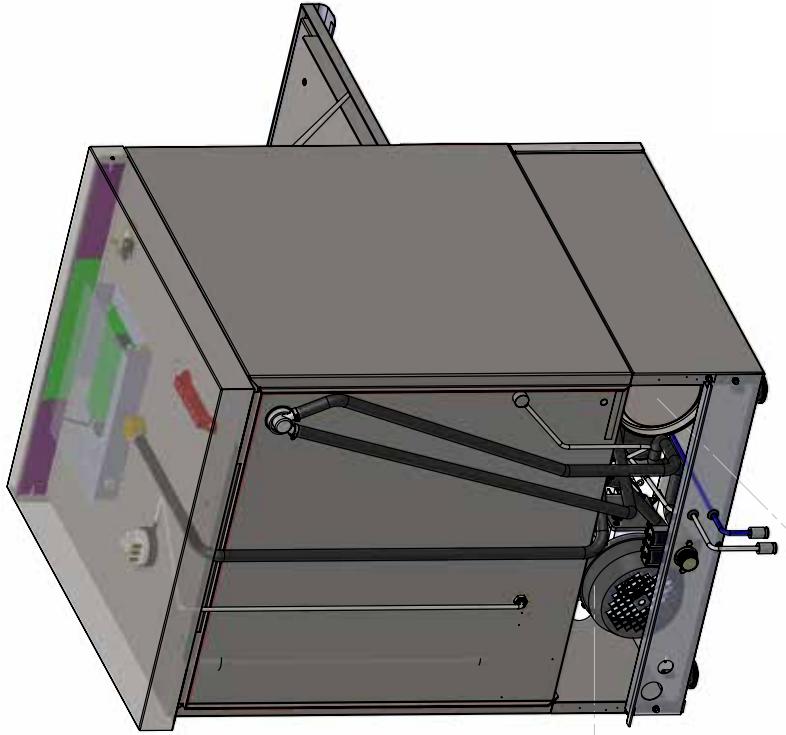
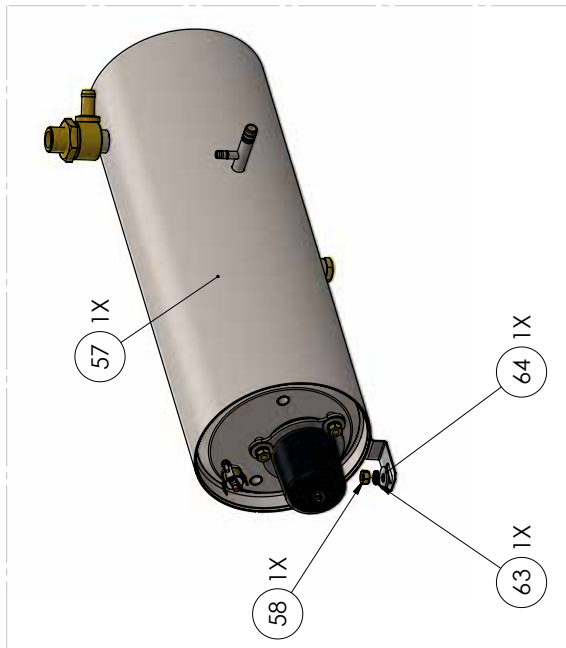
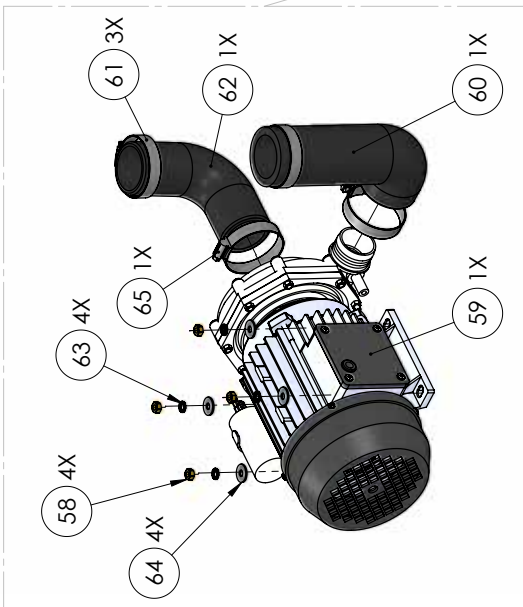
ITEM NO.	PART NUMBER	DESCRIPTION	QTY.
42	001.50.00083	BOARD BASE INOX A500	1
43	003.00.00625	ELECTROMAGNETIC FILTER 250V 50/60Hz 10A 40oC	1
44	003.00.00630	SPACER PCB RC-12 PLASTIC	4
45	003.00.00607	ATLAS MAIN BOARD VERSION	1
46	003.50.00037	COVER PP FOR PANEL A500	1
47	003.00.00610-1	ATLAS CONNECTION CABLE 500mm	1



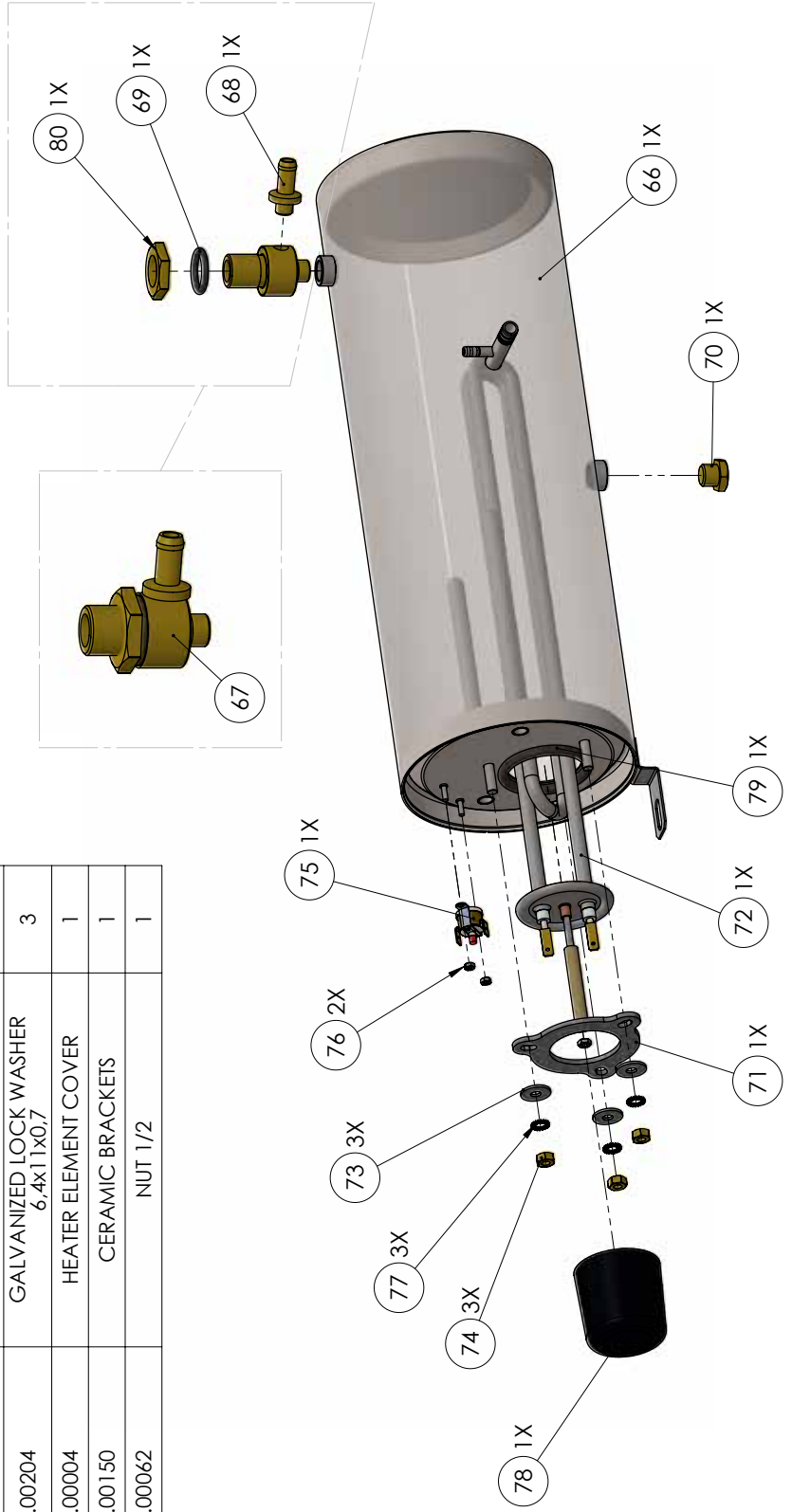


ITEM NO.	PART NUMBER	DESCRIPTION	QTY.
48	002.00.00095	INOX NUT M4	3
49	002.00.00140	LOCK WASHER INOX Ø4	3
50	001.00.00016	SMALL BLACK FOOT M10	4
51	001.50.00072	INOX LOWER BACK COVER V500	1
52	003.00.00025	CABLE RUBBER PROTECTOR	2
53	003.00.00278	GALV. BOLT M4X10	2
54	003.00.00151	Water Input Valve Double	1
55	003.00.00269	NON RETURN VALVE (DVGW)	1
56	002.00.00233	DETERGENT TANK INJECTOR	1

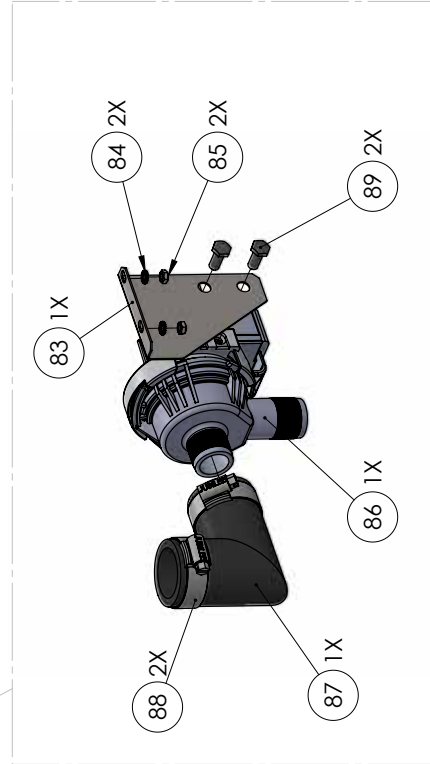
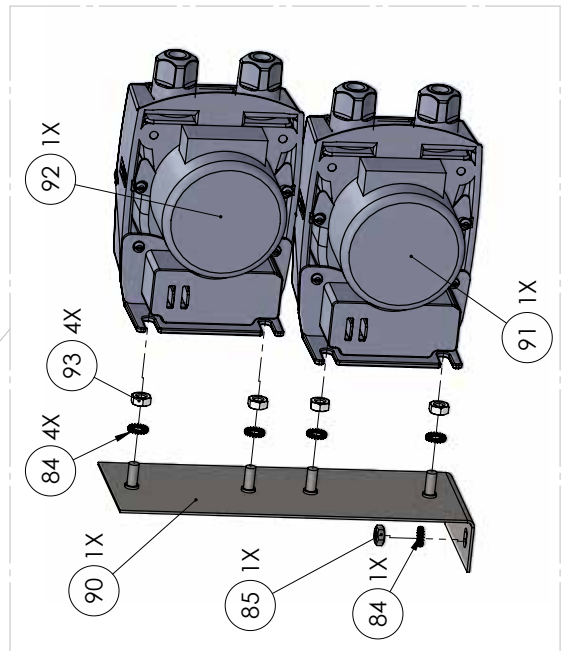
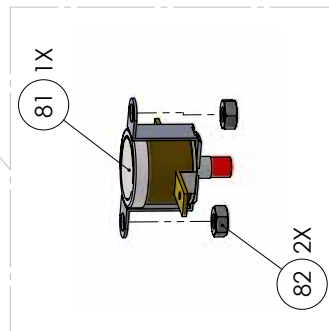
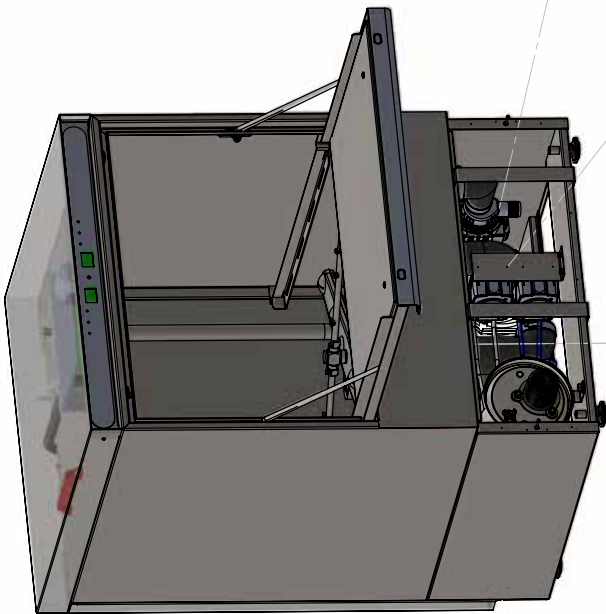
ITEM NO.	PART NUMBER	DESCRIPTION	QTY.
57	006.50.00001	BOILER COMPLETE WITH HEATER ELEM. V500	1
58	003.00.00041	NUT M6 GALVANISED	5
59	003.00.000350	PUMP 0,75Hp 50Hz 230V IP44	1
60	002.50.00032-1	WASH PUMP HOSE (OUTLET)	1
61	002.00.00050	CLAMP 40-60	3
62	002.00.00127-1	WASH PUMP HOSE (INPUT)	1
63	001.00.00204	GALVANIZED LOCK WASHER 6,4x11x0,7	5
64	003.00.000516	WASHER STEEL Φ 6X18	5
65	002.00.00049	CLAMP 35-50	1



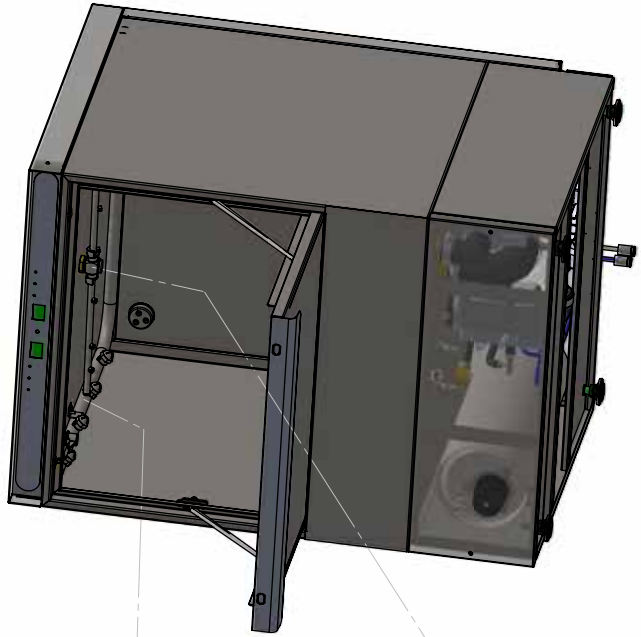
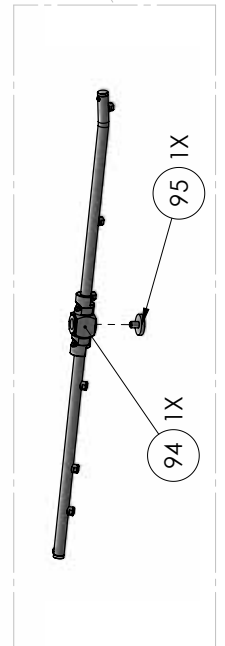
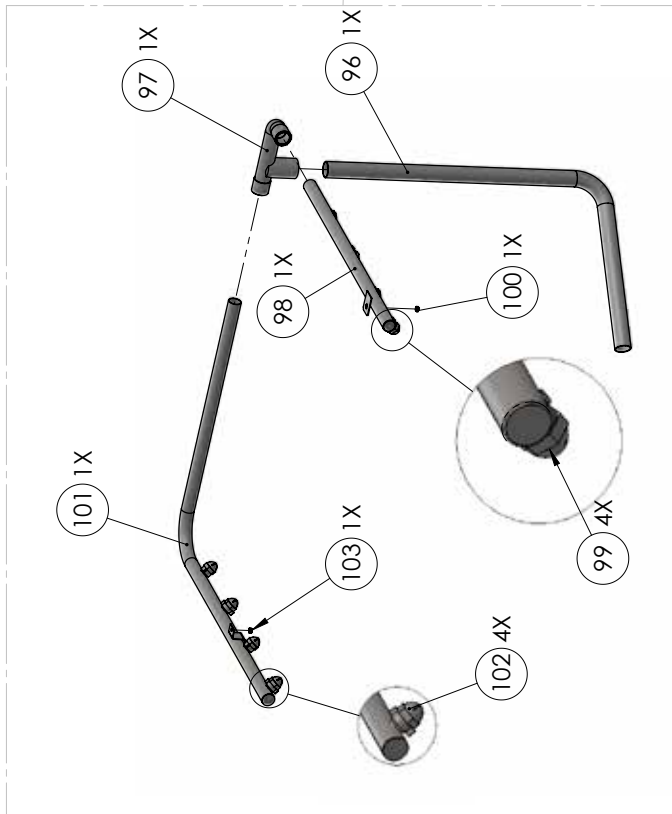
ITEM NO.	PART NUMBER	DESCRIPTION	QTY.
66	001.50.00017	BOILER V500 Φ140X400	1
67	002.50.00001	OUTLET BASE BOILER V500	1
68	002.00.00001	FITTINGS 1/4X10	1
69	002.00.00097	O-RING 20X4	1
70	002.00.00076	BOILER DRAIN THREADED CAP	1
71	003.00.00260	BOILER ELEMENT FITTING BASE	1
72	003.50.00005	HEATER ELEM. BOILER 3kw / 230V / V-K	1
73	003.00.00516	WASHER STEEL Φ6X18	3
74	003.00.00041	NUT M6 GALVANISED	3
75	003.00.00180	BOILER THERMOFUSE 1050C	1
76	002.00.00090	GALV. NUT M3	2
77	001.00.00204	GALVANIZED LOCK WASHER 6,4x11x0,7	3
78	003.00.00004	HEATER ELEMENT COVER	1
79	002.00.00150	CERAMIC BRACKETS	1
80	002.00.00062	NUT 1/2	1



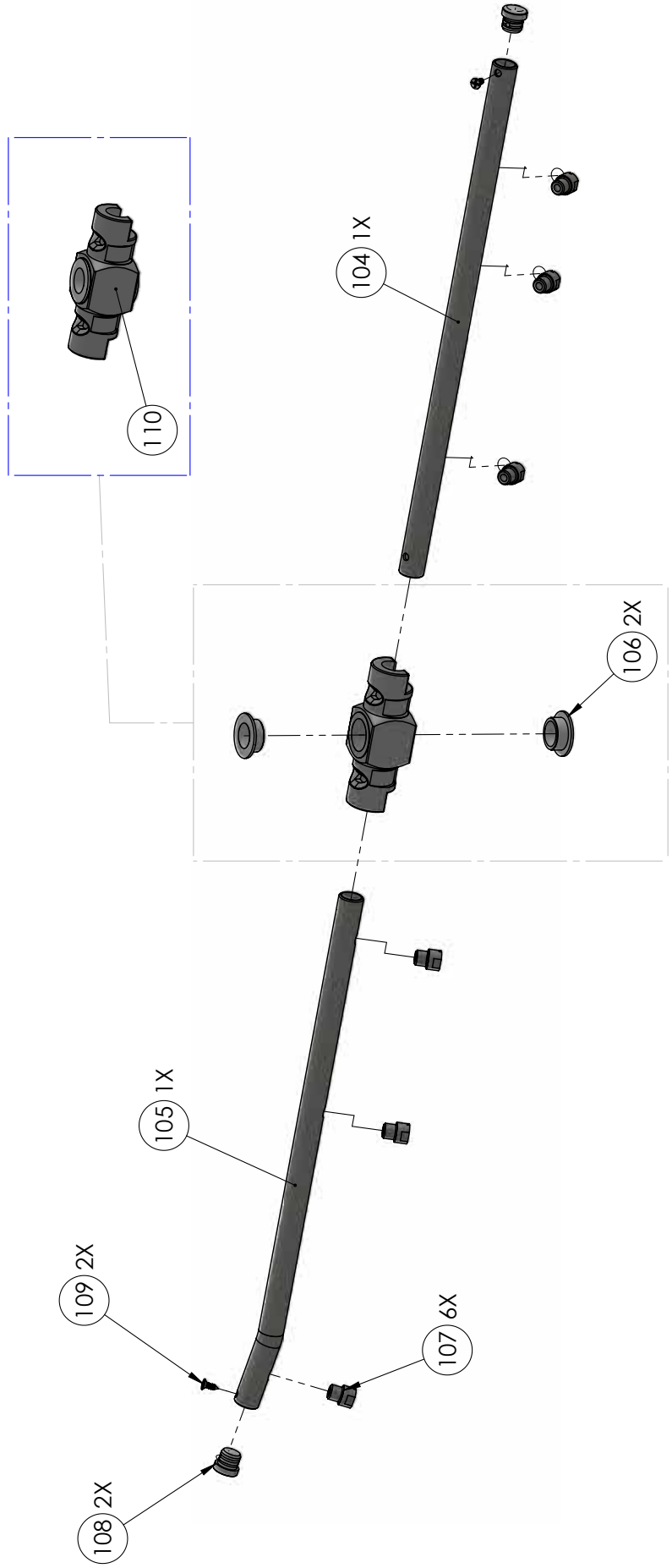
ITEM NO.	PART NUMBER	DESCRIPTION	QTY.
81	003.00.00168	THERMOFUSE TANK 90C	1
82	002.00.00090	GALV. NUT M3	2
83	001.50.00065	INOX BASE FOR DRAINING PUMP V500	1
84	002.00.00140	LOCK WASHER INOX Ø4	8
85	003.00.00046	NUT M4 (GALV)	4
86	003.00.00184	TANK DRAINING PUMP 230V / 65W	1
87	002.50.00014	DRAINING PUMP INLET PIPE V500	1
88	002.00.00048	CLAMP 25-40	2
89	003.00.00485	M6 GALVANISED BOLT	2
90	001.50.00078	BRACKET FOR TWO PERISTALTIC PUMPS V500	1
91	003.00.00433	PERISTALTIC RINSE AID PUMP G302 / 230V	1
92	003.00.00429	PERISTALTIC DETERGENT PUMP G300 / 230V	1
93	002.00.00095	INOX NUT M4	4



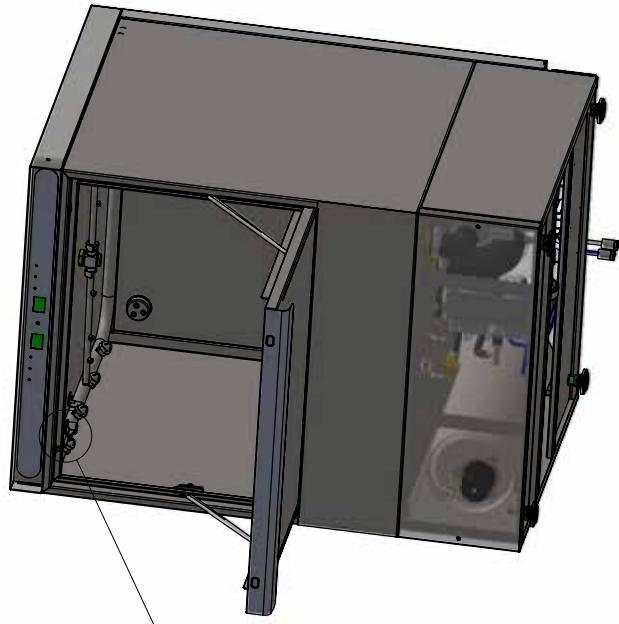
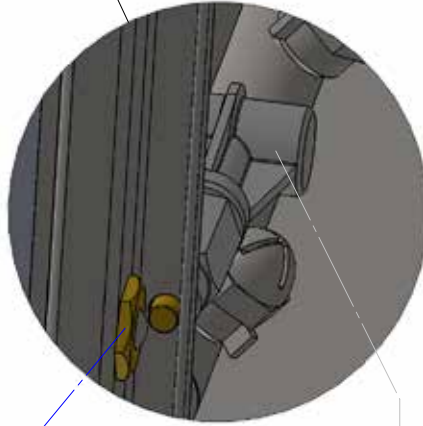
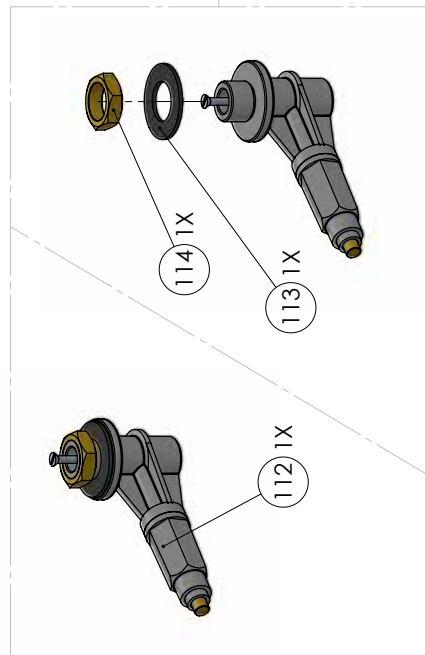
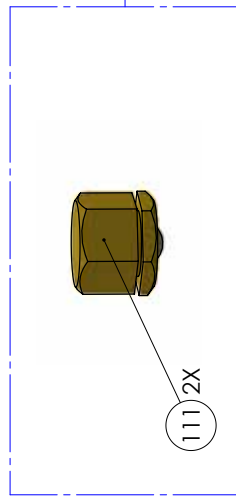
ITEM NO.	PART NUMBER	DESCRIPTION	QTY.
94	002.50.00026	RINSING ARM UP OR DOWN V-K	1
95	002.50.00004	LOCK NUT FOR RINSING ARM	1
96	002.50.00018	WASHING UPPER SYSTEM INOX SUPPLY PIPE	1
97	002.50.00017	CONNECTOR WASHING SYSTEM PLASTIC	1
98	002.50.00020	WASHING UPPER SYSTEM INOX UP-RIGHT	1
99	002.50.00030	SPRAYER FOR UPPER WASH ARMS	4
100	002.00.00095	INOX NUT M4	1
101	002.50.00019	WASHING UPPER SYSTEM INOX UP-LEFT	1
102	002.50.00030	SPRAYER FOR UPPER WASH ARMS	4
103	002.00.00095	INOX NUT M4	1



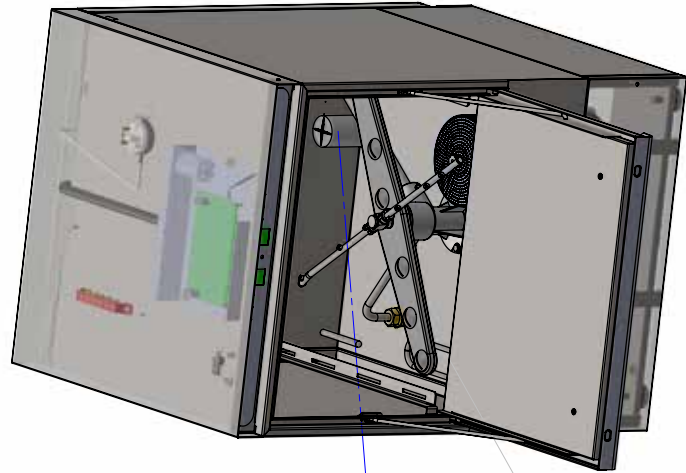
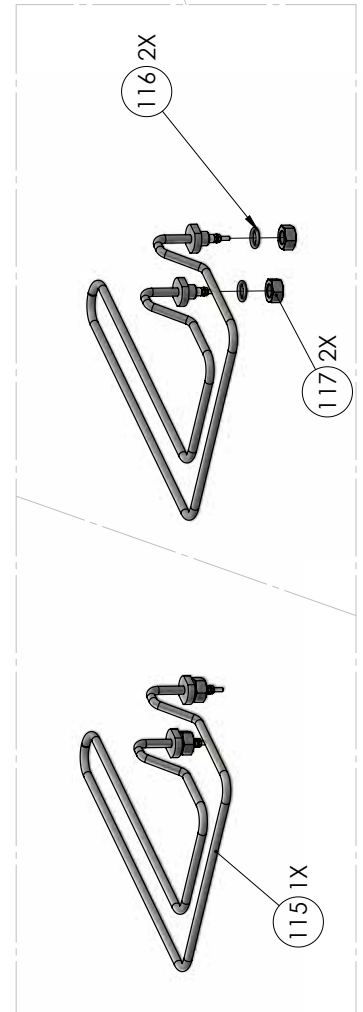
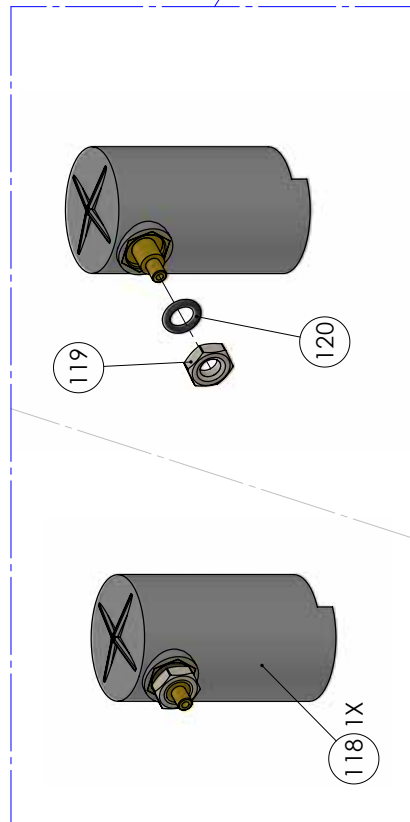
ITEM NO.	PART NUMBER	DESCRIPTION	QTY.
104	002.50.00005 (B)	RINSING ARM SINGLE - B	1
105	002.50.00005 (A)	RINSING ARM - A	1
106	002.00.00230	TEFLON Φ 18X6	2
107	002.11.00008	SPRAYER FOR RINSING ARM BL,EU,VE,KN,1500	6
108	002.00.00277	CAP FOR RINSE ARMS	2
109	001.00.00073	INOX SCREW 2,9 X 10	2
110	002.50.00025	PLASTIC BASE FOR RINSING ARMS	1



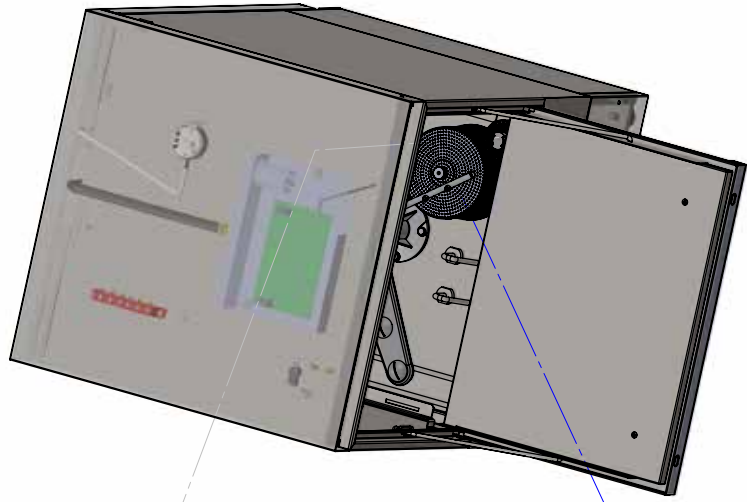
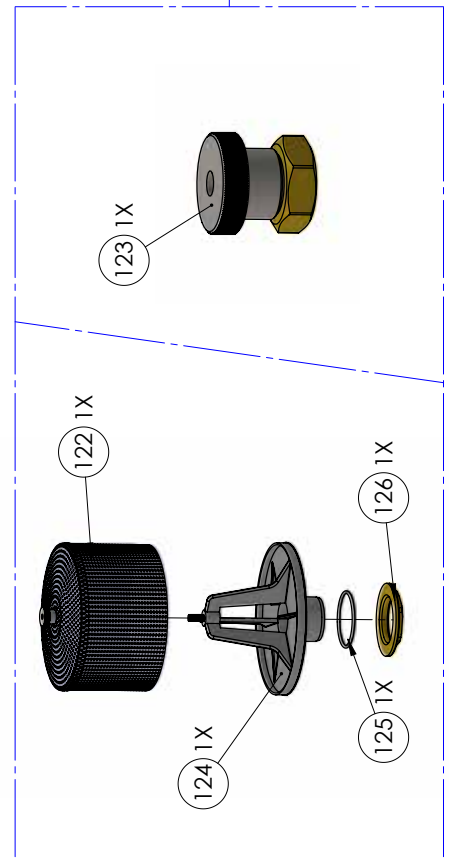
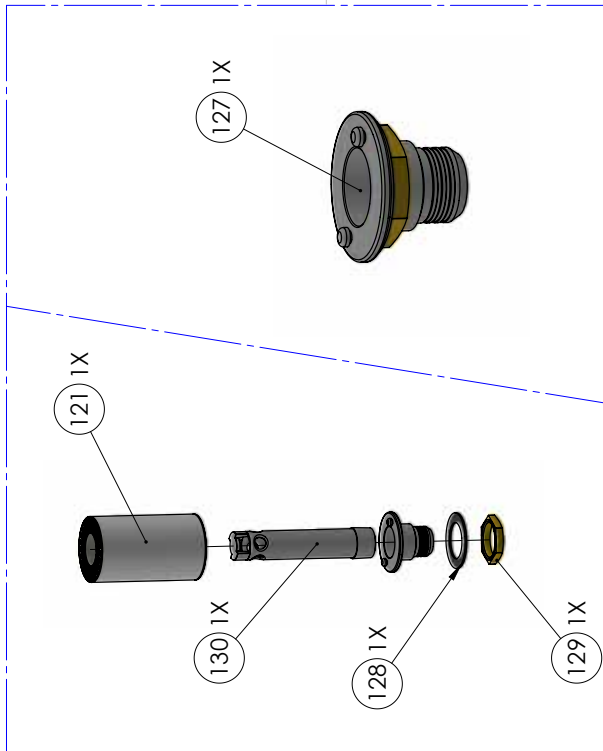
ITEM NO.	PART NUMBER	DESCRIPTION	QTY.
111	001.00.00051	DOOR SNAP SET	2
112	003.00.00231	DOOR SWITCH MECH. PART	1
113	003.00.00489	RUBBER GASKET 16X30X3	1
114	003.00.00071	NUT FOR DOOR SWITCH	1



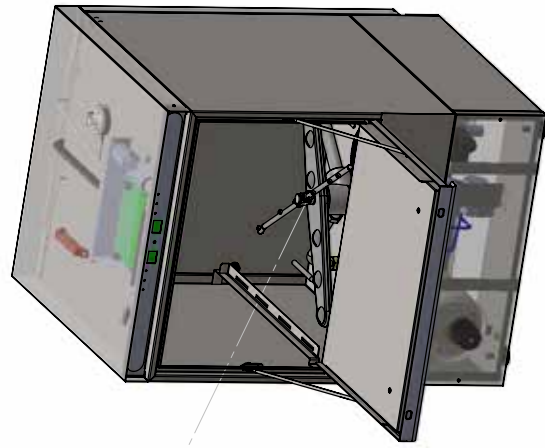
ITEM NO.	PART NUMBER	DESCRIPTION	QTY.
115	003.50.00008	HEATER ELEMENT TANK 2,8 kW / 230V	1
116	002.00.00100	O-RING 14X3.5	2
117	003.00.00074	NUT 14 (GALV.)	2
118	003.00.00014	PRESSOSTAT CHAMBER	1
119	002.00.00087	NUT M10	1
120	002.00.00091	ORING 3X10,5	1



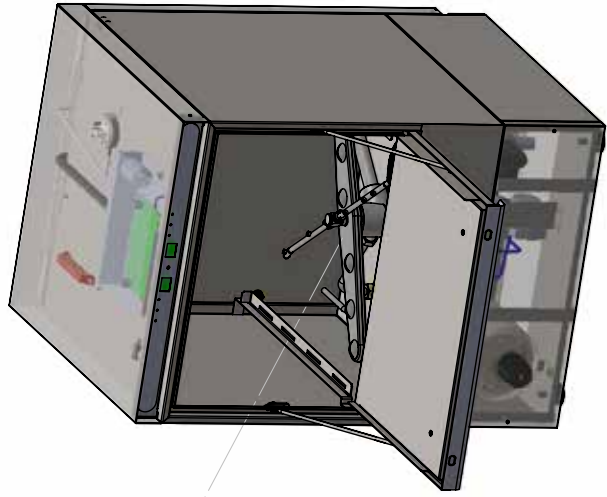
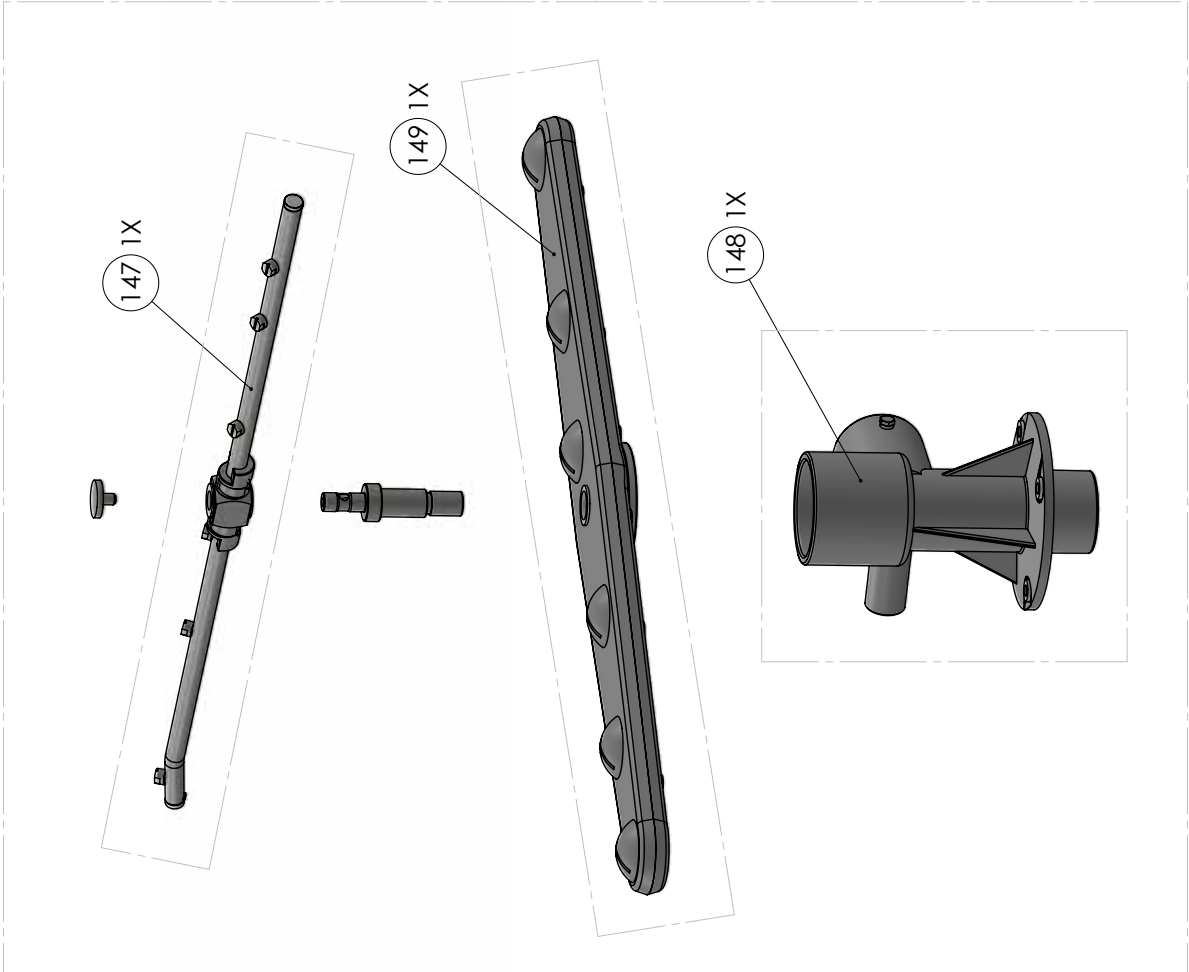
ITEM NO.	PART NUMBER	DESCRIPTION	QTY.
121	001.50.00040	DRAIN PUMP FILTER V500	1
122	001.70.00000	FILTER IN THE TANK FOR THE PUMP V-KN	1
123	001.00.00017	FILTER RETAINING NUT	1
124	002.00.00081	PLASTIC BASE FOR TANK FILTER V-K	1
125	002.00.00093	ORING 52X2,5	1
126	002.00.00037	NUT 1 1/2"	1
127	002.00.00257	DRAIN & OVERFLOW VALVE PLASTIC BASE	1
128	002.00.00238	RUBBER GASKET 35X55X1	1
129	002.00.00133	BRONZE NUT M36	1
130	002.50.00037	DRAIN AND OVERFLOW VALVE PLASTIC PART NEW V-K	1



ITEM NO.	PART NUMBER	DESCRIPTION	QTY.
131	002.50.00004	LOCK NUT FOR RINSING ARM	1
132	002.00.00105	RUBBER GASKET 103X58X3	1
133	003.00.00041	NUT M6 GALVANISED	4
134	002.11.00002	AXLE INOX FOR BASE DOWN V500	1
135	002.50.00022	RINSE PIPE INOX V-K	1
136	002.00.00144	RINSE PIPE RETAINING NUT	2
137	001.00.00204	GALVANIZED LOCK WASHER 6,4x11x0,7	4
138	003.00.00106	INOX HEX BOLT M4X15	1
139	002.50.00024	ADAPTOR Φ 40-25 FOR WASH BASE	1
140	002.00.00229	TEFLON Φ 23X10	2
141	002.50.00016	FLOW CONTROL DISK FOR BASE V-K	1
142	003.00.00516	WASHER STEEL Φ 6X18	4
143	003.00.00104	INOX HEX BOLT M6X20	4
144	002.00.00169	TEFLON 12-6-2	4
145	002.00.00071	O-RING 20X4	1
146	002.00.00091	ORING 3X10,5	1



ITEM NO.	PART NUMBER	DESCRIPTION	QTY.
147	002.50.00026	RINSING ARM UP OR DOWN V-K	1
148	002.50.00036	WASHING BASE DOWN V-K COMPLETE	1
149	002.50.00006	LOWER WASHING ARM V50	1



ITEM NO.	PART NUMBER	DESCRIPTION	QTY.
150	002.00.00002	NON RETURN VALVE FOR RINSE AID PUMP	1
151	002.00.00119-14	WASHING MACHINE HOSE BLACK 10X16.5	1
152	002.00.00119-12	WASHING MACHINE HOSE BLACK 10X16.5	1
153	002.00.00119-15	WASHING MACHINE HOSE BLACK 10X16.5	1
154	003.00.00487-6	TUBE PVC BLUE 4X6	1
155	003.00.00140_9	TUBO CRISTALLO 4X6	1
156	003.00.00140_8	TUBO CRISTALLO 4X6	1
157	003.00.00487-5	TUBE PVC BLUE 4X6	1
158	002.00.00195	BALANCE F15X20	2
159	002.00.00242	FILTER PLASTIC FOR RINSE AID VALVE	2
160	003.00.00140_10	TUBO CRISTALLO 4X6	1
161	002.00.00052	CLAMP 10-16	10
162	002.00.00287	FITTINGS 1/8X7	1
163	002.00.00132-2	WASHING MACHINE HOSE BLACK 6X12	1
164	002.00.00231	CLAMP 8-12	2
165	002.51.00007	T-CONNECTION BOLIER KNOSSOS	1
166	002.00.00119-16	WASHING MACHINE HOSE BLACK 10X16.5	1
167	002.00.00119-17	WASHING MACHINE HOSE BLACK 10X16.5	1

