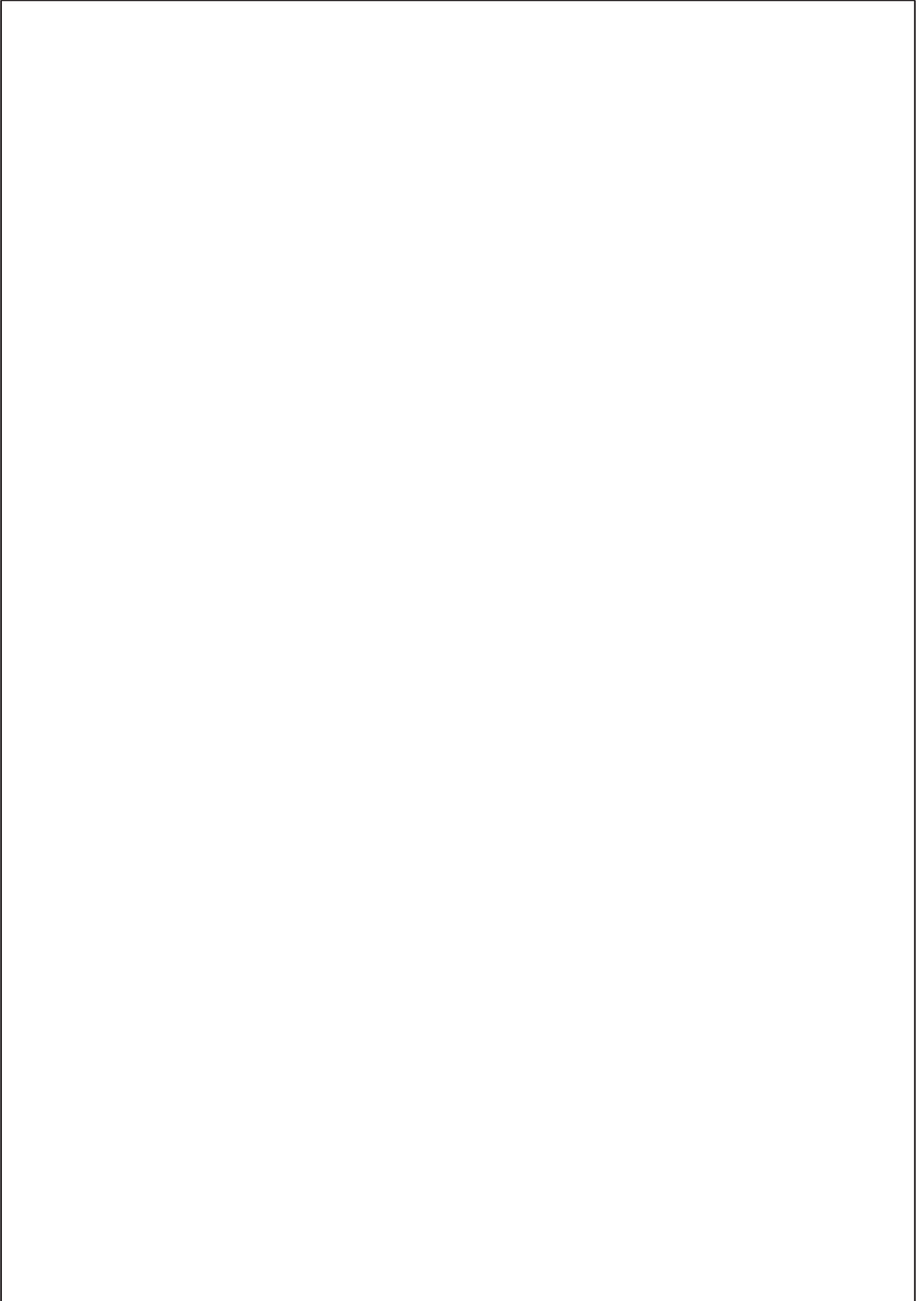
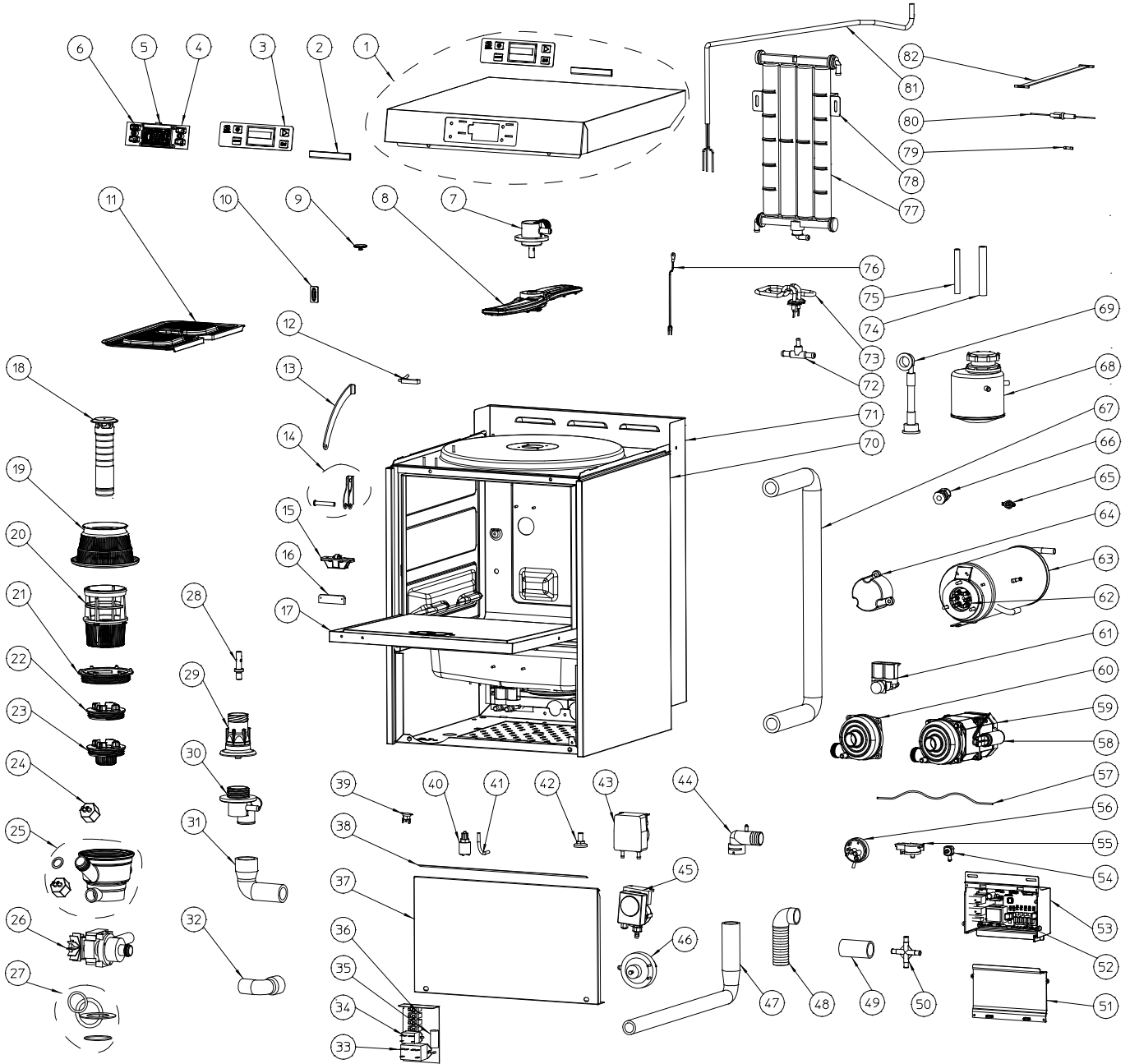


**LAVAVAJILLAS
UX-40**
**DISHWASHER
UX-40**
**LAVE-VAISSELLE
UX-40**

| N. | Denominación | Description | Dénomination | Cod. |
|-----|---|------------------------------------|---|---------|
| 1a | Panel mandos | Control panel | Tableau commandes | 2319640 |
| 1b | Panel mandos | Control panel | Tableau commandes | 2319642 |
| 2 | Junta puerta | Door gasket set | Joint porte | 2319202 |
| 3 | Teclado | Keyboard | Clavier | 2319764 |
| 4 | Placa teclado | Plate (keyboard) | Plaque clavier | 2319760 |
| 5 | LCD lavado | Washing LCD | LCD lavage | 2319752 |
| 6 | Guías luz | Light guides | Guides lumière | 2319758 |
| 7 | Acoplador superior | Top coupling | Accouplement supérieur | 2319632 |
| 8 | Difusores | Dispersers | Diffuseur | 2319634 |
| 9 | Tornillo hélice | Spiral screw | Vis inox tourniquet | 2309077 |
| 10 | Tope tirante | Tie-beam stop | Butée tirant | 2319772 |
| 11 | Filtro superficie | Filter (surface) | Filtre surface | 2319630 |
| 12 | Interruptor magnético | Magnetic switch set | Interrupteur magnetique | 2319223 |
| 13 | Tirantes de puerta | Door tighteners | Entretoise de porte | 2319770 |
| 14 | Bisagras puerta SL | Door hinge set SL | Charnière de porte SL | 2319068 |
| 15 | Cerradura | Lock | Serrure | 2319614 |
| 16 | Imán puerta | Door magnet set | Aimant porte | 2319222 |
| 17 | Puerta | Door | Porte | 2319612 |
| 18 | Rebosadero | Drain plug | Bloqueur d'eau | 2319628 |
| 19 | Filtro superior colector | Collector support filter | Filtre supérieur collecteur | 2319627 |
| 20 | Filtro aspiración | Intake filter | Filtre d'aspiration | 2319626 |
| 21 | Tuerca colector | Collector washer set | Ecrou collecteur | 2319264 |
| 22 | Soporte rebosadero | Drain plug holder set | Support bloqueur d'eau | 2319732 |
| 23 | Filtro vaciado | Drain filter | Filtre vidange | 2319731 |
| 24 | Tapón colector | Collector plug | Bouchon collecteur | 2319718 |
| 25 | Colector | Collector | Collecteur | 2319620 |
| 26 | Bomba de vaciado 80W | Drain pump 80W | Pompe de vidange 80W | 2319534 |
| 27 | Juntas | Gaskets | Joints | 2319725 |
| 28 | Eje torreta | Shaft set (turret) | Axe tourette | 2319619 |
| 29 | Torreta | Turret | Tourette | 2319618 |
| 30 | Acoplador inferior 2 VIAS | Coupling body set 2(bottom) | Accouplement inférieur 2 | 2319061 |
| 31 | Codo impulsión | Intake elbow set | Coude impulsion | 2319270 |
| 32 | Codo aspiración vaciado | Drain intake elbow | Coude d'aspiration vidange | 2319624 |
| 33 | Relé potencia 220V AC 25A | Power relay set 220V AC 25A | Relais puissance 220V AC 25A | 2319314 |
| 34 | Relé potencia 220V 1NO 30A | Power relay set 220V 1NO 30A | Relais puissance 220V 1NO 30A | 2319225 |
| 35 | Filtro supresión interf. | Interference filter | Filtre interférences | 2319643 |
| 36 | Regleta PA-76/4 FV | Terminal strip PA-76/4 FV | Reglette PA-76/4 FV | 2319637 |
| 37a | Tapa frontal inferior | Cover (front lower) | Panneau frontal inférieur | 2319650 |
| 37b | Tapa frontal inferior UX-40 S | Cover (front lower) UX-40 DP | Panneau frontal inférieur UX-40 DP | 2319651 |
| 38 | Junta cierre 10x4x600 | Lid gasket 10x4x600 | Joint fermeture 10x4x600 | 2313445 |
| 39 | Termostato seguridad cuba | Tank safety thermostat | Thermostat de sécurité cuve | 2319717 |
| 40 | Filtro dosificador con válvula | Filter dosing set with valve | Filtre doseur avec valve | 2319226 |
| 41 | Tubo silicona con racord | Tube (silicone) | Tube silicone doseur (Lavage) | 4306388 |
| 42 | Pies | Feet | Pieds (x4) | 2319719 |
| 43 | Kit dosificador detergente NPG | Detergent dosing NPG | Kit doseur de détergent NPG | 2319723 |
| 44 | Anti-retorno | Non-return set | Anti-retour | 2307538 |
| 45 | Dosificador abrillantador peristáltico antir. | Peristaltic rinse-aid doser | Doseur rinçage peristaltique antiretour | 2319715 |
| 46 | Dosificador abrillantador red agua | Doser rinsing water power | Doseur de rinçage (Pres. Reseau) | 2319274 |
| 47 | Codo vaciado | Drain elbow | Coude vidange | 2319780 |
| 48 | Tubo manguera codo desagüe | Tube drain hose set | Tuyau d'écoulement | 2319227 |
| 49 | Tubo aspiración lavado | Wash intake tube | Tube aspiration lavage | 2319622 |
| 50 | Conexiones cruz LVT-18 | Cross connector (4) | Connexion en croix (4) | 4309192 |
| 51 | Tapa placa electrónica | Print cover | Couvercle plaque électronique | 2319636 |
| 52 | Placa VAX | Print VAX | Plaque VAX | 2319766 |
| 53 | Caja placa electrónica | Print box | Boîte plaque électronique | 2319635 |
| 54 | Racord codo | Coupling | Raccord coude | 2313019 |
| 55 | Sensor de presión | Pressure sensor | Senseur de pression | 2319773 |
| 56 | Presostato 90-65 | Pressurestat 90-65 | Pressostat 90-65 | 2319621 |
| 57 | Cableado | Electric wiring | Câblage | 2319662 |
| 58a | Condensador 16mF 0,25KW 60HZ | Capacitor 16mF 0,25KW 60HZ | Condensateur 16uF 0,25KW 60HZ | 2319606 |
| 58b | Condensador 5MF 0,25KW | Capacitor 5MF 0,25KW | Condensateur 5MF 0,25KW | 2319607 |
| 59a | Motobomba 0.25kW 110/60/1 | Motorpump 0.25kW 110/60/1 | Motopompe 0.25kW 110/60/1 | 2319608 |
| 59b | Motobomba 0.25kW 220/60/1 | Motorpump 0.25kW 220/60/1 | Motopompe 0.25kW 220/60/1 | 2319609 |
| 59c | Motobomba 0.25kW 230/50/1 | Motorpump set 0.25kW 230/50/1 | Motopompe 0,25kW 230/50/1 | 2319610 |
| 60a | Accesorios motobomba 0,25KW 60HZ | Motorpump accesories 0,25KW 60HZ | Accessoires motopompe 0,25KW 60HZ | 2319601 |
| 60b | Accesorios motobomba 0,25KW 230/50 | Motorpump accesories 0,25KW 230/50 | Accessoires motopompe 0,25KW 230/50 | 2319602 |
| 61 | Electroválvula 2 vías | Electrovalve set 2 ways | Electrovanne 2 voies | 2319241 |





**LAVAVAJILLAS
UX-40**
**DISHWASHER
UX-40**
**LAVE-VAISSELLE
UX-40**

| N. | Denominación | Description | Dénomination | Cod. |
|-----|----------------------------------|-----------------------------------|----------------------------------|---------|
| 62a | Resistencia calderín 2,5kw | Boiler element set 2,5 kw. | Résistance chaudière 2,5 kW | 2309696 |
| 62b | Resistencia calderín 2.8 KW | Boiler element set 2.8 KW | Résistance chaudière 2.8KW | 2319070 |
| 63 | Calderín | Boiler | Chaudière | 2319617 |
| 64 | Acoplador calderín | Boiler Coupling | Accouplement chaudière | 2304809 |
| 65 | Termostato de seguridad | Safety thermostat | Thermostat de sécurité | 2319230 |
| 66 | Prensaestopas | Stuffing box | Presse-étoupes | 2319214 |
| 67 | Codo forma u | U shaped elbow set | Coude en "U" | 2309678 |
| 68 | Depósito de sal | Salt container set | Reservoir sel | 2319239 |
| 69 | Manguera entrada agua | Water entry tube set | Tuyau arrivée d'eau | 2309745 |
| 70 | Pared lateral | Side wall | Paroi latérale | 2319652 |
| 71a | Tapa trasera | Back cover | Panneau arrière | 2319648 |
| 71b | Tapa trasera UX-40 S | Back cover UX-40 DP | Panneau arrière UX-40 DP | 2319649 |
| 72 | T conexion dosificador | T connection doser | T connexion doseur | 2319273 |
| 73 | Resistencia 1200W 230V | Element 1200W 230V | Résistance 1200W 230V | 2319655 |
| 74 | Manguera 8x17x1000 | Hose 8x17x1000 | Gâine 8x17x1000 | 2319348 |
| 75 | Manguera D12-2460 | Hose set T&S D12-2460 | Tuyau D12-2460 | 2319468 |
| 76 | Sonda temperatura NTC anillo JST | Temperature probe NTC ring JST | Sonde température NTC ANILLO JST | 2319657 |
| 77 | Descalcificador 4 columnas | Water softener set (4 columns) | Adoucisseur 4 colonnes | 2319237 |
| 78 | Soporte descalcificador 4 | Water softener holder (4 columns) | Support adoucisseur 4 colonnes | 2319238 |
| 79 | Fusible Ø5X20 0.63 A | Fuse set Ø5X20 0.63 A | Fusible Ø5X20 0.63A | 2312877 |
| 80 | Portafusibles aéreo | Fuse holder set | Porte-fusibles | 2319232 |
| 81 | Cable manguera | Hose wire | Câble | 2149717 |
| 82 | Cable plano largo ULX-VAX-LVJ | Plain wire (long) ULX-VAJ-LVJ | Câble plat long ULX-VAX-LVJ | 2319897 |