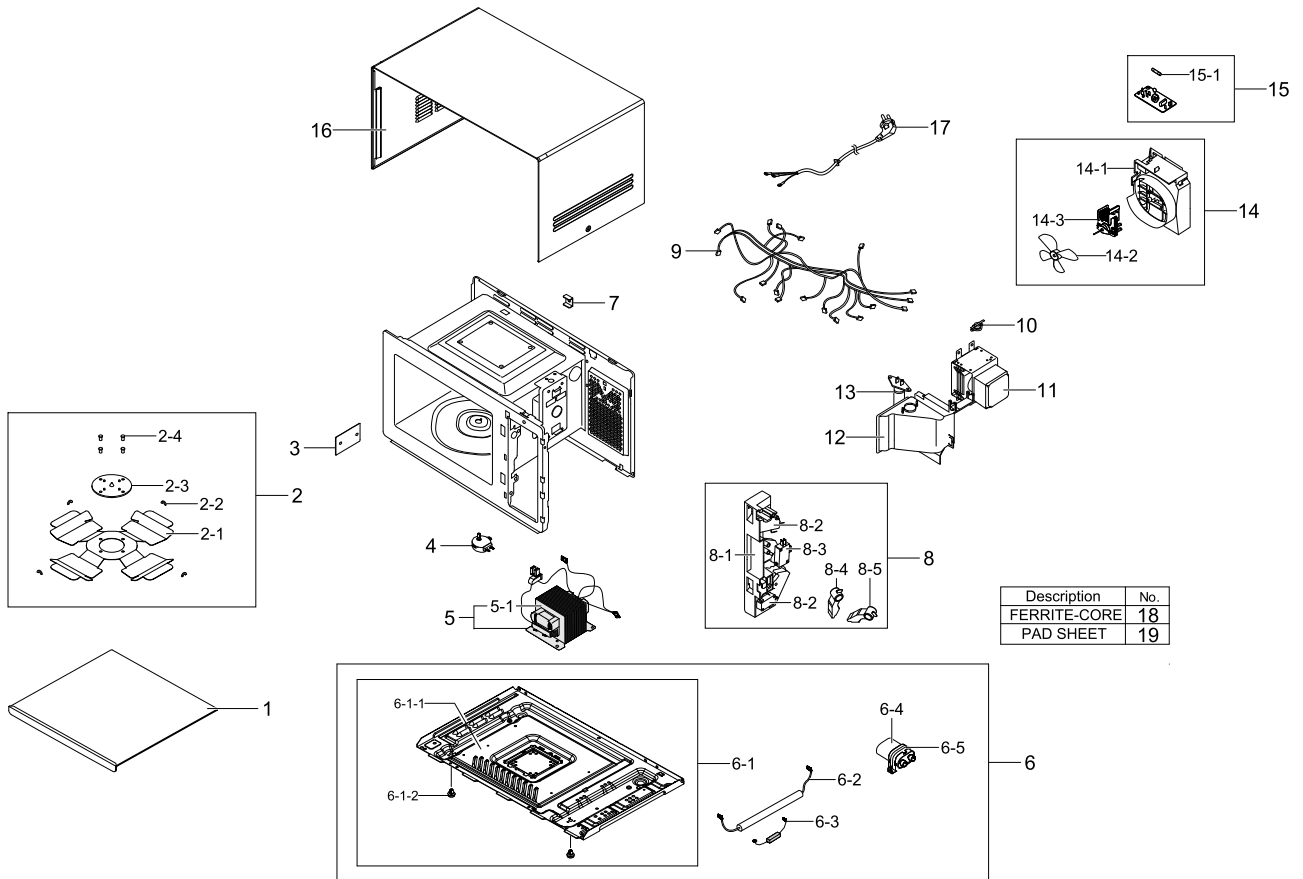


# 1. Main

## Exploded View



## Parts List

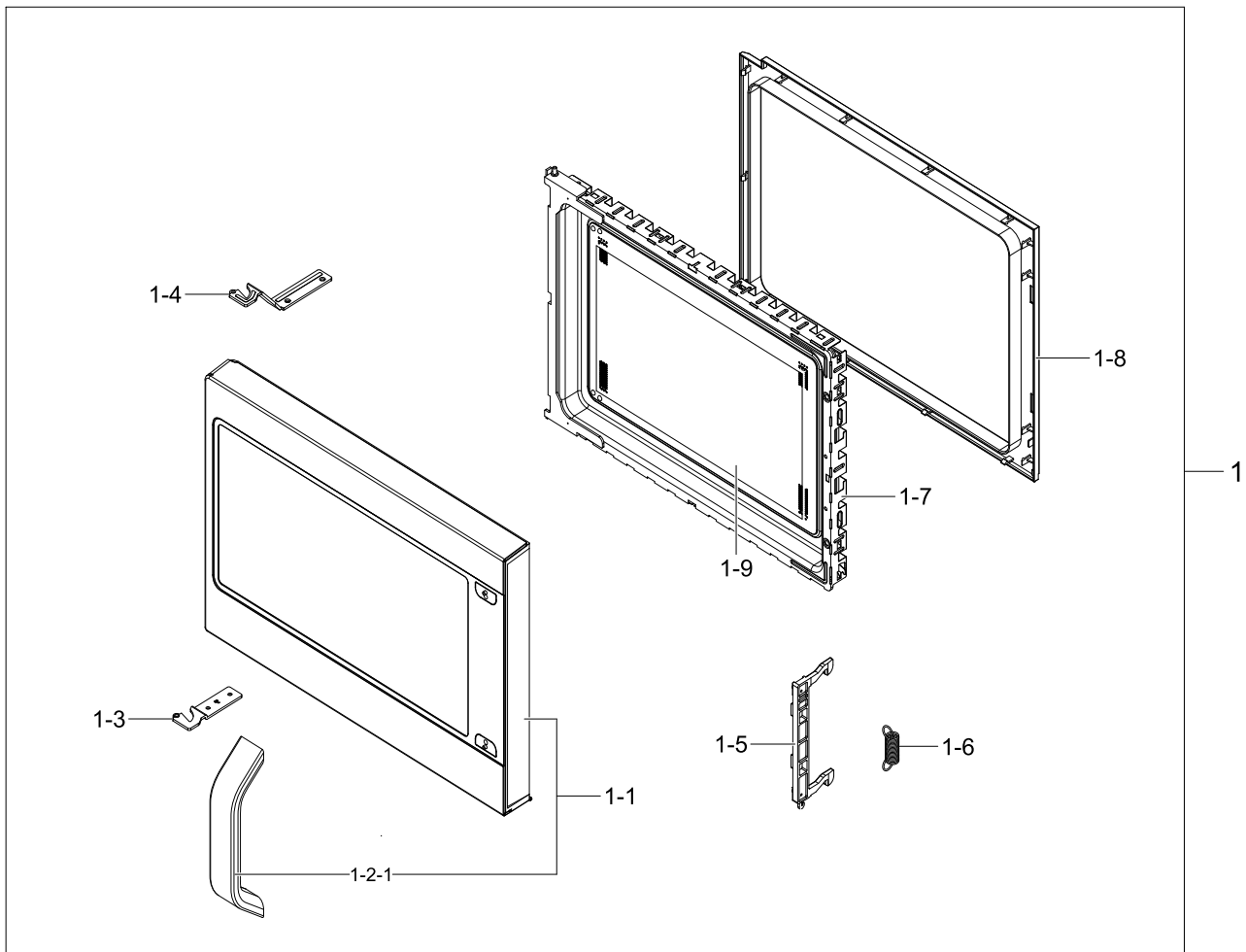
No.	Lvl.	Loc.	Material Code	Description & Specification	SNA	Qty.
1	2	T002	DE97-00191A	ASSY-TRAY CERAMIC; CM1049,-,T3.2,COMMERCIAL	SA	1
2	2	P001	DE97-00190A	ASSY STIRRER; CM1049,ALS	SA	1
2-1	3	T036	DE31-00009A	BLADE-STIRRER; CM1030M,ALP1050,T0.8	SNA	1
2-2	3	T074	DE60-80043A	SPACER-STIRRER; TEFLON,W6.3,T2	SNA	4
2-3	3	T037	DE61-00098A	HOLDER-STIRRER; CM1030M,TEFLON,WHT	SNA	1
2-4	3	M078	DE69-90054A	CLIP-STIRRER; 5mm,TEFLON-PFA,CM1819/29	SA	4
3	2	M051	DE71-00163A	COVER-CEILING; CM1049,MICA SHEET,T0.5,W12	SA	1
4	2	M049	DE31-10173C	MOTOR SYNCHRONOUS; SEMI-COMM,21V,16.7/20R	SA	1
5	1		DE96-00964C	ASSY POWER PACK; CM1079-A/XEU,0.8 CU.FT	SA	1
5-1	2	M038	DE26-00051B	TRANS H.V; SHV-E1049B,230V,50Hz,2360V/3.4	SA	1
6	2	M155	DE96-00240G	ASSY BASE PLATE; SEMI COMM 1059/1069,-,-,	SA	1
6-1	3	M045	DE96-00042A	ASSY BASE PLATE SUB; -,-,-,3RD-1.0,SEPARA	SA	1

Exploded Views and Parts List

No.	Lvl.	Loc.	Material Code	Description & Specification	SNA	Qty.
6-1-1	4	M048	DE80-10001G	BASE-PLATE; 3RD,GI-SGCC,T0.6,W345,L565	SNA	1
6-1-2	4	M047	DE61-40066A	FOOT; PP,BLK	SA	2
6-2	3	M042	DE91-70061H	ASSY H.V.FUSE; -,THV060T-0900-H,5KV0.90A,	SA	1
6-3	3	M527	DE59-00002A	DIODE-H.V; MWO ALL,2CL4512H,-,450mA 13KV,	SA	1
6-4	3	M039	2501-001285	C-OIL; 1.13uF,2100V(CLASS P),AL CAN TYPE,	SA	1
6-5	3	M040	DE61-00419A	BRACKET-HVC; CM1049,EGI-SECC,T0.8	SNA	1
7	2	M011	DE61-50541A	BRACKET-EARTH; GI-SGCC,T1.0,W15,L8	SNA	1
8	1	B022	DE94-01862D	ASSY BODY LATCH; MC455TCRCSR/XE,CONTRABAS	SNA	1
8-1	2		DE72-00137G	LATCH-BODY; AMC6158/JMC9158,PBT	SA	1
8-2	2	B048	3405-001034	SWITCH-MICRO; 125/250VAC,16A,200gf,SPST-N	SA	2
8-3	2	B046	3405-001032	SWITCH-MICRO; 125/250VAC,16A,200GF,SPDT	SA	1
8-4	2	B010	DE66-00093A	LEVER-SWITCH(A); NC2000,PP,NTR,HANDLE	SA	1
8-5	2	B011	DE66-00094A	LEVER-SWITCH(B); NC2000,PP,NTR,HANDLE	SA	1
9	1	W002	DE39-00396A	WIRE HARNESS-A; CM1069,230V/50HZ,STANDBY	SA	1
10	2	M457	DE47-20173A	THERMOSTAT; NT-101,125/250V,905,605,1	SA	1
11	2	M035	OM75P(31)ESGN	ASSY-MGT; ASSY-MGT		1
12	2	M037	DE71-60016E	COVER-AIR; CM1049,PP,FH44N,SEMI-COM	SA	1
13	2	M036	4713-001524	LAMP-INCANDESCENT; 230V,20W	SA	1
14	2	M020	DE96-00108C	ASSY MOTOR FAN; CM1059/XEU,230V50HZ,2500R	SA	1
14-1	3	P109	DE71-00061A	COVER-MOTOR; 2 & 2 PROJECT,PP,TB53,2 & 2 PROJ	SA	1
14-2	3	H096	DE31-90051A	BLADE-FAN; -,PP,-,D130,-,T,-	SA	1
14-3	3	M023	DE31-10177C	MOTOR FAN; SMF-1049EA,-,-,230V50Hz,15mm,-	SNA	1
15	2	M017	DE96-00010C	ASSY NOISE FILTER; -,SN-3WED(12),250V12A,	SA	1
15-1	3	M019	3601-001019	FUSE-CARTRIDGE; 250V,12A,SLOW-BLOW,CERAMI	SA	1
16	1	M001	DE64-01740A	PANEL-OUTER; CM1059/1069,STAINLESS-ST5430	SA	1
17	1	M015	DE96-00639A	ASSY POWER CORD; CEE,Flag,250V/16A,H07RN-	SA	1
18	2	M052	DE73-90027A	FERRITE-CORE; T13.8,NI-ZN,BNF-14(K150),L2	SA	1
19	2		DE69-00909A	PAD SHEET; ALL MODEL CMO,HDPE,T0.03,W400,	SA	1

# 1.1. Assy Door

## Exploded View



## Parts List

No.	Lvl.	Loc.	Material Code	Description & Specification	SNA	Qty.
1	1	D049	DE94-03005A	ASSY DOOR; CM1089,STSS,MANDOLIN	SA	1
1-1	2	D037	DE94-03002A	ASSY DOOR A; CM1089,STSS,MANDOLIN	SA	1
1-2-1	3	D019	DE64-02745A	HANDLE-DOOR; COMMERCIAL,AL,MANDOLIN	SNA	1
1-3	2	D010	DE61-80003A	HINGE-LOWER; ME6144W/XSA,SSEC,T2.3,W26,L7	SA	1
1-4	2	D009	DE61-80002A	HINGE-UPPER; WHT,SSEC,T2.3,W26,L77,ZPC3	SA	1
1-5	2	D011	DE64-00264A	KEY-DOOR; 3RD-W NEW,POM,-,-,BLK,-,-	SA	1
1-6	2	D007	DE61-00199A	SPRING-KEY; M1977,HSWR-SWRH,D6,25 1/4,25	SC	1
1-7	2	D004	DE92-50127H	ASSY DOOR E; -,-,BLACK,COATING,T0.8	SC	1

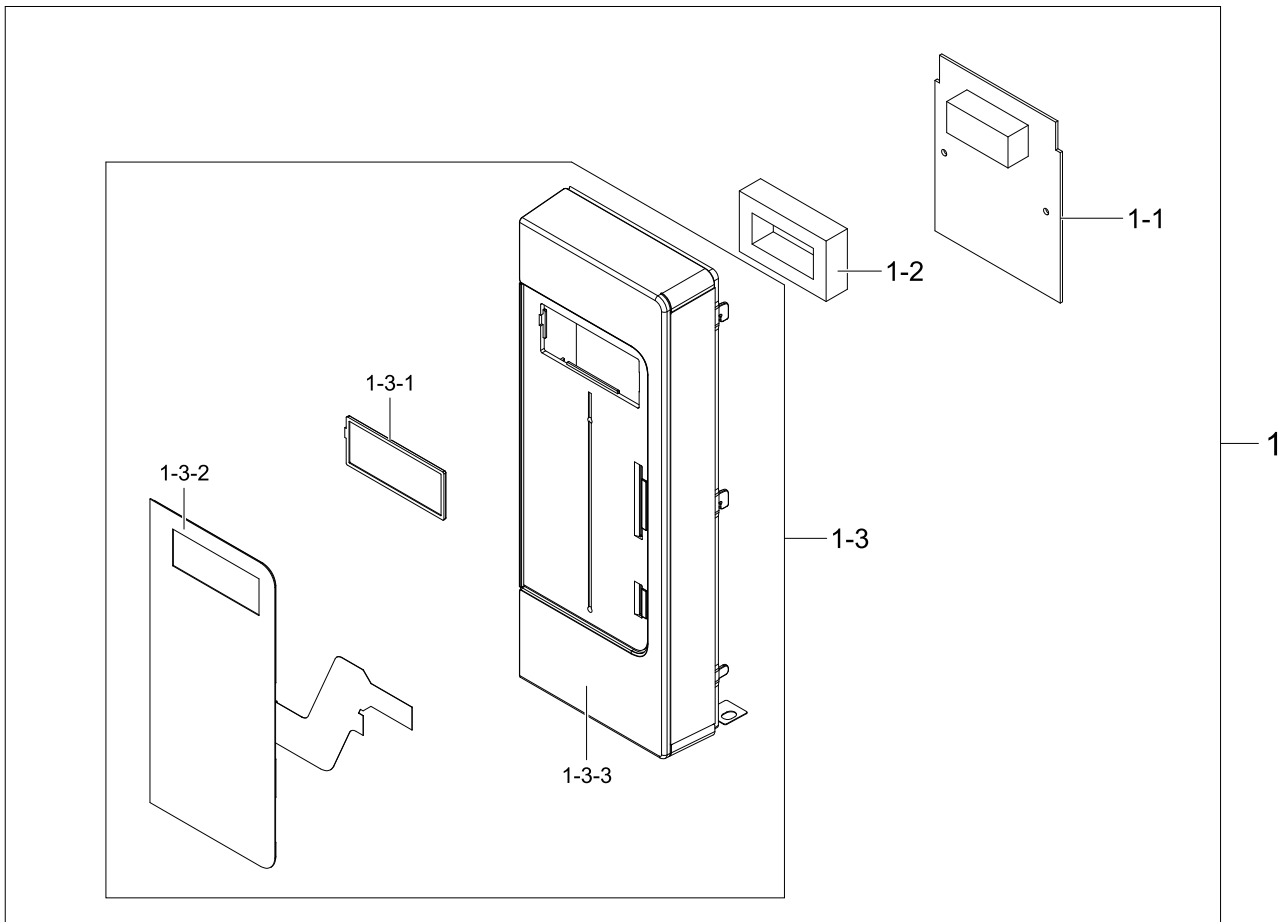
Exploded Views and Parts List

---

No.	Lvl.	Loc.	Material Code	Description & Specification	SNA	Qty.
1-8	2	D006	DE64-40012D	DOOR-C; JES1036NL02,ROH,EMBO HEIGHT 0.8mm	SA	1
1-9	2	D005	DE01-00002B	FILM-DOOR; CM1089,PET,T0.15,W290,L169,NTR	SA	1

## 1.2. Assy Control

### Exploded View



### Parts List

No.	Lvl.	Loc.	Material Code	Description & Specification	SNA	Qty.
1	1	C082	DE94-03004A	ASSY CONTROL BOX; CM1089,230V 50HZ,STSS S	SNA	1
1-1	2	F316	DE92-03494B	ASSY PCB MAIN; CM1089/X,RCS-SMS1020-05,Y,	SA	1
1-2	1	B022	DE94-01862D	ASSY BODY LATCH; MC455TCRCSR/XE,CONTRABAS	SNA	1
1-3	2	C001	DE94-03003A	ASSY CONTROL PANEL; CM1089,STSS ST-430 0.	SA	1
1-3-1	3	C009	DE64-02746A	WINDOW DISPLAY; COMMERCIAL,SAN,69,39,MAND	SNA	1
1-3-2	3	C004	DE34-00413A	SWITCH MEMBRANE; CM1089-MANDORIN,PET,230V	SA	1
1-3-3	3	C005	DE64-02751A	CONTROL-PANEL; COMMERCIAL,ABS,106.3,281,4	SNA	1