

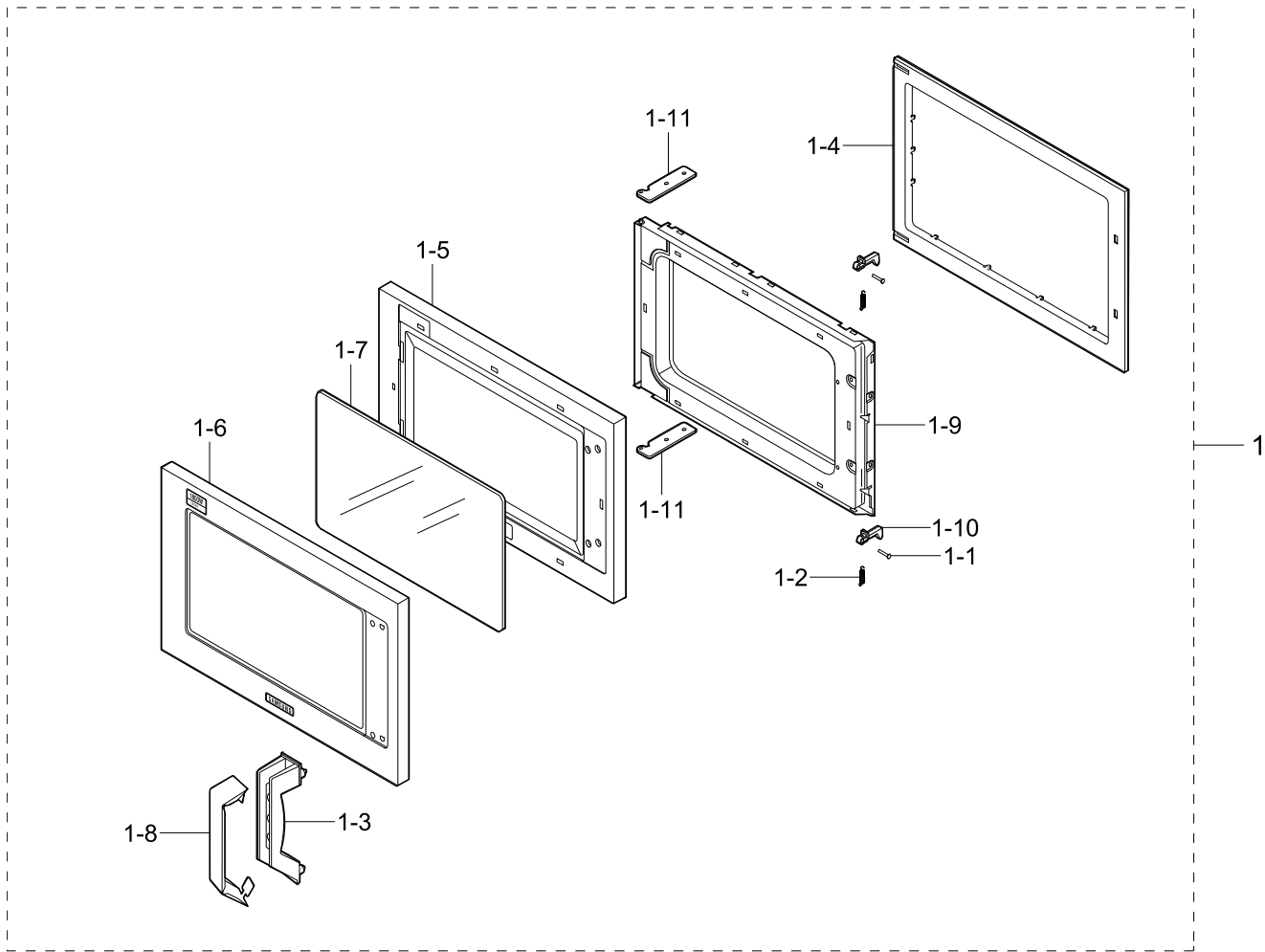
Exploded Views and Parts List

No.	Lvl.	Loc.	Material Code	Description & Specification	SNA	Qty.
7	2	M052	DE73-90027A	CORE-FERRITE; T13.8,NI-ZN,BNF-14(K150),L2	SNA	2
8	2	R066	DE61-50520A	BRACKET PCB; EGI-SECC,T0.8,CM-1819	SA	1
9	2	M011	DE61-50541A	BRACKET EARTH; EGI-SECC,T1,W15,L8	SNA	1
10	2	W002	DE96-00503A	ASSY WIRE HARNESS-MAIN; Heavy COmmercial,	SA	1
11	2	M126	DE63-90064B	CUSHION; PU FOAM,T5X10X50	SNA	1
12	1	M001	DE70-30123A	PANEL OUTER; CM1919/XEU,STS430,T0.6	SA	1
13	2	P046	DE72-50088A	DUCT FAN; CM-1819,ALCOT,T0.5	SA	1
14	2	M029	DE47-20017A	THERMOSTAT; AC125/250V,15/10A,150C,60C,Ve	SA	1
15	2	P047	DE72-50090A	DUCT-MGT/L; CM-1819,EGI-SECC,T0.5	SA	1
16	2	M020	DE91-50093T	ASSY MOTOR FAN; CM1919/1929,-,240V,-,COMM	SA	1
16-1	3	M039	2501-001284	C-OIL HIGH VOLTAGE; 1100nF,2100V,BK,34x54	SA	2
16-2	3	M527	DE59-00002A	DIODE-H.V; MWO,2CL4512H/CL04-12A,500mA,12	SA	2
16-3	3	M024	DE31-10180A	MOTOR AC VENTILATION; SMV-1829EA,2Pole,24	SNA	1
16-4	3	M112	DE61-30189A	SUPPORT-FAN-MOUNT; EGI-SECC,T1,CM-1819	SA	1
17	2	P048	DE72-50089A	DUCT-MGT/R; CM-1819,EGI-SECC,T0.5	SA	1
18	2	M102	DE47-40029A	LAMP SOCKET; 250V,2A,PBT,E14,1,Snap in fi	SA	2
19	2	M078	DE69-90054A	CLIP-STIRRER; 5mm,TEFLON-PFA,CM1819/29	SA	6
20	2	M515	DE92-90507A	ASSY WAVE GUIDE; CM-1819,-,-,-	SNA	2
21	2	M049	DE31-10164B	MOTOR AC DRIVE; M2CK34A709-H(B),8,120V,60	SA	2
22	1		DE94-02838A	ASSY ACCESSORY PARTS; CM1519-1/XEU,0.9 CU	SNA	1
22-1	2	T002	DE97-00319B	ASSY-TRAY CERAMIC; CM1929A/XEU,MWO-COMMER	SA	1
23	2	M035	OM75P-20-ESRN	MGT; MGT		2
24	2	P001	DE92-90515A	ASSY STIRRER; CM-1819/CM-1829,-	SA	2
25	2	P074	DE92-90514A	ASSY-BACK COVER; CM-1819,-,CM-1829,	SA	1
25-1	3	P186	DE71-60421A	COVER BACK; EGI-SECC,T0.6,W481.8,L363.9,C	SNA	1
25-2	3	P026	DE72-50087A	DUCT-EXHAUST; ALCOAT-SA1C,T0.6	SA	3
26	2	C165	DE97-00562A	ASSY COVER PANEL; CM1019,PP+SGL,-,-	SA	1
26-1	3	M087	DE63-00315A	COVER STIRRER; CM1019,PP,NATUAL	SA	1
26-2	3	M051	DE63-00324A	COVER-CEILING; CM1019,MICA SHEET,T1,W234,	SA	1
27	2	M425	DE92-90516B	ASSY BRACKET FILTER; CM1819,-,-,-	SA	1
27-1	3	P003	DE61-50521B	BRACKET-FILTER; CM1819,STAINLESS-STS430,T	SNA	1

No.	Lvl.	Loc.	Material Code	Description & Specification	SNA	Qty.
28	2		DE92-90519B	ASSY DUCT AIR; CM1929B,COMMERCIAL,STSS430	SNA	1
28-1	3	M440	DE47-20008A	THERMOSTAT; AC125/250V,15/10A,100C,60C,Ho	SA	1
28-2	3		DE72-50091B	DUCT AIR; CM1929B,COMMERCIAL,STS430,T0.4	SNA	1
29	2	B022	DE93-20097E	ASSY BODY LATCH; CM1819/1829,EUROPE	SA	1
29-1	3	S0021	3405-001055	SWITCH-MICRO; 125/250VAC,16A,200gf,SPST-N	SC	2
29-2	3	B048	3405-001034	SWITCH-MICRO; 125/250VAC,16A,200gf,SPST-N	SA	1
29-3	3	B005	DE61-00066A	SPRING-Q; CM1819/1829,MSWR-SWRM,PI0.8	SNA	1
29-4	3	B077	DE66-40062A	LATCH BODY; CM-1819,PBT,NATURAL	SA	1
29-5	3	B012	DE66-90107A	LEVER SWITCH; PBT+GF,VB-5050G,NATURAL	SA	1
29-6	3	B013	DE66-90108A	LEVER SWITCH; PBT+GF,VB-5050G,NATURAL	SA	1
29-7	3	B046	3405-001032	SWITCH-MICRO; 125/250VAC,16A,200gf,SPDT,T	SA	2
30	2	M155	DE93-10106F	ASSY BASE PLATE; CM1029/XEU,COATING	SNA	1
30-1	3	M155	DE93-10106C	ASSY BASE PLATE; CM1819,SECC,-,-	SA	1
31	2	P073	DE61-50538A	BRACKET-PLATE; EGI-SECC,T1	SA	1
32	2	P021	DE63-00008K	CUSHION SPONGE; PUR FOAM,PUT-FOAM,T2,W8,L	SNA	1
33	2	P021	DE63-00009T	CUSHION SPONGE; PUR FOAM,T50,W8,L530,BLK	SNA	1
34	2	M056	DE63-90062C	CUSHION-HVT; NEOPRENE RUBBER,T18,W30,L50	SA	2
35	2	M058	6502-001056	CABLE CLAMP; DAWH-2NC,ID18.5,NYLON6/6,NTR	SNA	2
36	2	Z780	DE71-20261A	CAVITY UP; STS430,T0.5,W467,L521.2	SNA	1
37	2	M213	DE71-20260A	CAVITY MAIN; STS430,T0.5	SNA	1
38	2	Z030	DE71-20258A	CAVITY BACK; STS304,T0.5,W314,L394	SNA	1
39	2		DE94-01333A	ASSY CAVITY FRONT; COMMERCIAL,1,-,-,-,-	SNA	1
40	2	Z122	DE61-50513B	BRACKET-HINGE(U); EGI-SECC,T1	SNA	1
41	2	Z035	DE61-50514B	BRACKET-HINGE(L); EGI-SECC,T1,CM-1819	SNA	1

2. Assy Door

Exploded View



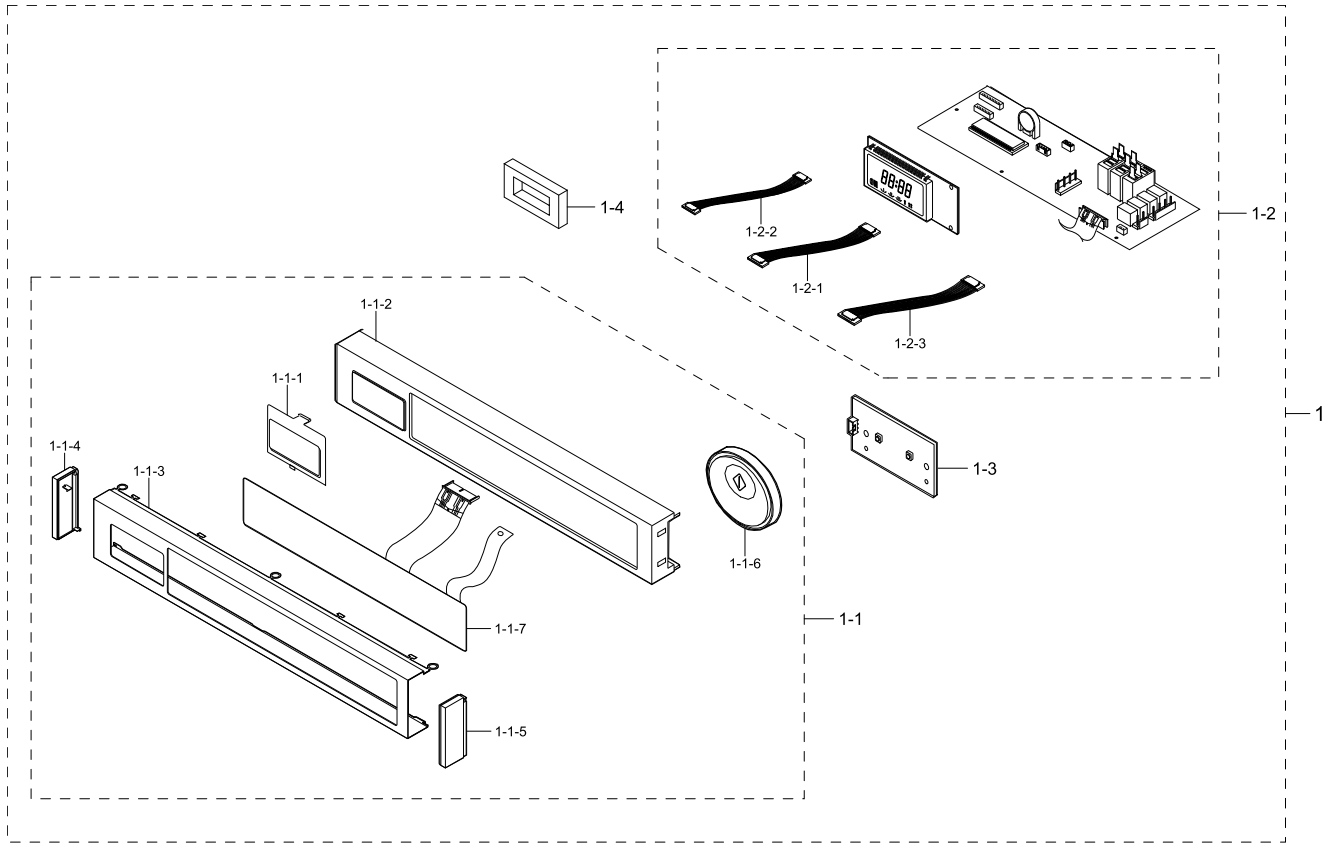
Parts List

No.	Lvl.	Loc.	Material Code	Description & Specification	SNA	Qty.
1	1	D049	DE94-01286D	ASSY DOOR; CM1929,STS,-,1850W	SA	1
1-1	2	D018	DE60-60080A	PIN-KEY; STS304,L23	SA	2
1-2	2	D007	DE61-70144A	SPRING-KEY; HSWR-SWRH,PI1.0,OD6.5,L32.8,2	SA	2
1-3	2	D019	DE64-20123A	HANDLE; CM-1819,ZN,-,-,-,CM-1819,-	SNA	1
1-4	2	D006	DE64-40298A	DOOR C; CM1919A/XEU,PP,T2,W266,L464,HB,BL	SNA	1
1-5	2	D021	DE64-90145A	DECORATION DOOR; CM-1819,ABS,-,GE BLACK,K	SNA	1
1-6	2	D022	DE64-90146A	DECORATION COVER DOOR; STAINLESS-STS430,C	SNA	1
1-7	2	D024	DE67-20174N	SCREEN DOOR; CM1929,GLASS,3.2,198.5,364,1	SNA	1
1-8	2	D026	DE71-60433A	COVER HANDLE; CM1929A,STS430,T0.5	SNA	1

No.	Lvl.	Loc.	Material Code	Description & Specification	SNA	Qty.
1-9	2	D004	DE92-50132B	ASSY DOOR E; CM-1819,-,BLK,COATING	SNA	1
1-10	2	D011	DE64-40296B	DOOR-KEY; CMO COMMERCIAL,CR3C + ZINC DIEC	SA	2
1-11	2	D008	DE61-80138A	HINGE; EGI-SECC,T3,W24.5,L29.5	SA	2

3. Assy Control Box

Exploded View



Parts List

No.	Lvl.	Loc.	Material Code	Description & Specification	SNA	Qty.
1	1	C082	DE94-02182J	ASSY CONTROL BOX; CM1929/XEF,230V50HZ,BLA	SNA	1
1-1	2	C001	DE93-30529V	ASSY CONTROL PANEL; CM1929,BLACK,STS,ABS,	SA	1
1-1-1	3	C009	DE67-40161B	WINDOW-DISPLAY; CM1929,PMMA,SMOG	SA	1
1-1-2	3	C020	DE70-30125A	PANEL BASE; CM1929,ABS,HB,HG-0760SR,GE BL	SA	1
1-1-3	3	C021	DE71-60426A	COVER PANEL; STAINLESS-ST5430,T0.5,-,-	SA	1
1-1-4	3	C022	DE71-60428B	COVER-PANEL(L/L); CM1019,ABS,-,-,-,-,-,-,-,	SA	1
1-1-5	3	C023	DE71-60429B	COVER PARTITION-BACK; CM1019,ABS,-,-,-,-,-,-,-,	SA	1
1-1-6	3	C019	DE66-20212D	BUTTON START; CM1529-1/XEU,ABS,GE BLACK,0	SA	1
1-1-7	3	C004	DE34-00158C	SWITCH MEMBRANE; CM1529-1/XEU,PET,230V 50	SA	1
1-2	2	F316	DE92-03495B	ASSY PCB MAIN; EUP / RCS-SMS2CM-20,CM1929	SA	1

No.	Lvl.	Loc.	Material Code	Description & Specification	SNA	Qty.
1-2-1	3	W001	DE39-40692A	ASSY WIRE HARNESS-SUB; CM1819/29,230VAC,I	SA	1
1-2-2	3	C033	DE39-40694A	ASSY WIRE HARNESS-SUB; CM1929,230VAC,IEC,	SA	1
1-2-3	3	W007	DE39-40113B	ASSY WIRE HARNESS-SUB; CM1929,230VAC,IEC,	SA	1
1-3	2	C218	DE61-00808A	GUIDE-START-BUTTON; CM1019,PP,COMMERCIAL	SA	1
1-4	2	C058	DE63-00634A	CUSHION-PCB; HEAVY-COMMERCIAL MWO,PUR FOA	SNA	1