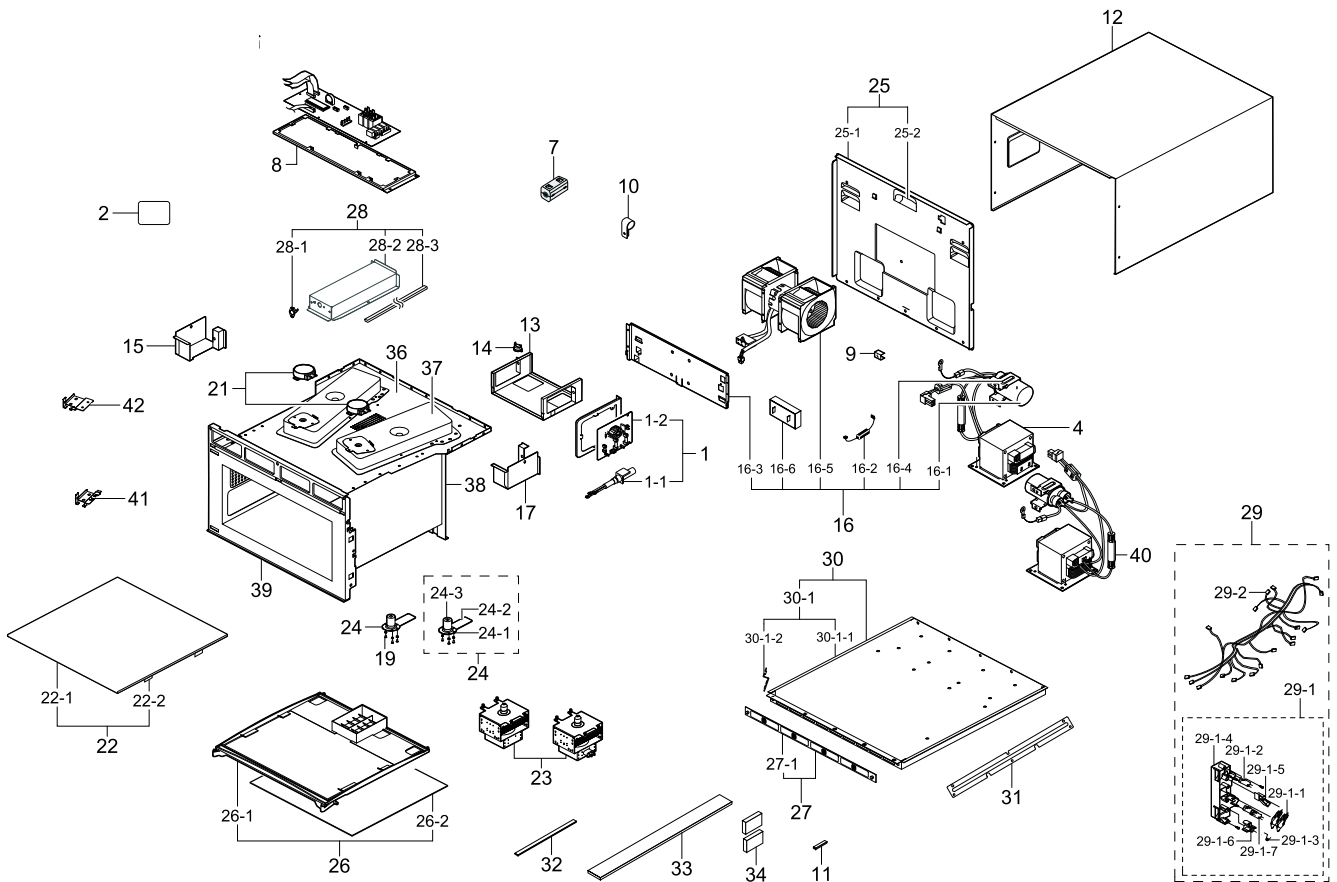


1. MJ26A6091AT/EU

Exploded View



Parts List

No.	Lvl.	Loc.	Material Code	Description & Specification	SNA	Qty.
1	1		DE94-03068A	ASSY HOLDER; CM1929	SA	1
1-1	2	M015	DE96-00180B	POWER CORD-AT; H07RN-F 3x1.5mm ² ,BLK,GB3F,	SA	1
1-2	2	M017	DE96-00734A	ASSY NOISE FILTER; SN-CM1929,250V/15A,250	SA	1
2	1	M066	DE01-00095A	FILM-LAMP; PET,PET,84,T0.15,114,CM-1819,H	SA	1
3	1	M036	DE96-01131A	ASSY LED LAMP; 2ea, METAL, 30*20, WHITE, 20037WRH03(WHT), 90mA, DC12V, 325lx	SA	2
4	1	M038	DE26-00058B	TRANS H.V; SHV-906EG2,240V,2400V/3.40V,AL	SA	2
5	1	U003	DE61-01765A	HOLDER LAMP;MJ6000A_PP,natural,FH44N	SA	1
6	1	M129	DE92-90533A	ASSY-LAMP HOLDER; CM1819/CM1829,-,-	SA	1
6-1	2	M086	DE71-60422A	COVER LAMP; STAINLESS-ST5430,T0.6,-,-,CM-	SNA	1
6-2	2	M065	DE63-90190B	CUSHION-LAMP; PU FOAM,T7,W100,L115	SNA	1
7	1	M052	DE73-90027A	CORE-FERRITE; T13.8,NI-ZN,BNF-14(K150),L2	SNA	2

Exploded Views and Parts List

No.	Lvl.	Loc.	Material Code	Description & Specification	SNA	Qty.
8	1	R066	DE61-50520A	BRACKET PCB; EGI-SECC,T0.8,CM-1819	SA	1
9	1	M011	DE61-50541A	BRACKET EARTH; EGI-SECC,T1,W15,L8	SNA	1
10	1	M058	6502-001056	CABLE CLAMP; DAWH-2NC,ID18.5,NYLON6/6,NTR	SNA	2
11	1	M126	DE63-90064B	CUSHION; PU FOAM,T5X10X50	SNA	1
12	1	M001	DE70-30123A	PANEL OUTER; CM1919/XEU,STS430,T0.6	SA	1
13	1	P046	DE72-50088A	DUCT FAN; CM-1819,ALCOT,T0.5	SA	1
14	1	M029	DE47-20017A	THERMOSTAT; AC125/250V,15/10A,150C,60C,Ve	SA	1
15	1	P047	DE72-50090A	DUCT-MGT/L; CM-1819,EGI-SECC,T0.5	SA	1
16	1		DE91-50093Z	ASSY MOTOR FAN; CM1919/XEU,1.05 uF	SNA	1
16-1	2	M039	2501-001283	C-OIL HIGH VOLTAGE; 1050nF,2100V,BK,34x54	SNA	2
16-2	2	M527	DE59-00002A	DIODE-H.V; MWO,2CL4512H/CL04-12A,500mA,12	SA	2
16-3	2	M112	DE61-30189A	SUPPORT-FAN-MOUNT; EGI-SECC,T1,CM-1819	SA	1
16-4	2	M040	DE61-00421A	BRACKET-HVC; CM1829,EGI-SECC,T0.5	SNA	2
16-5	2	M024	DE31-10180A	MOTOR AC VENTILATION; SMV-1829EA,2Pole,24	SNA	1
16-6	2		2301-001910	C-FILM,LEAD;1.5,-25to+85C,450V,±5%,37x15	SNA	1
17	1	P048	DE72-50089A	DUCT-MGT/R; CM-1819,EGI-SECC,T0.5	SA	1
18	1	M102	DE47-40029A	LAMP SOCKET; 250V,2A,PBT,E14,1,Snap in fi	SA	2
19	1	M078	DE69-90054A	CLIP-STIRRER; 5mm,TEFLON-PFA,CM1819/29	SA	6
21	1	M049	DE31-10164B	MOTOR AC DRIVE; M2CK34A709-H(B),8,120V,60	SA	2
22	1	T002	DE97-00319B	ASSY-TRAY CERAMIC; CM1929A/XEU,MWO-COMMER	SA	1
22-1	2	T002	DE74-20116A	TRAY; GLASS,T3,CM-1819	SNA	1
22-2	2	T108	DE61-00170A	FOOT-TRAY; CM1049,URETHAN,WHT	SNA	4
23	1	M035	OM75P-20-ESRN	MGT; MGT		2
24	1	P001	DE92-90515A	ASSY STIRRER; CM-1819/CM-1829,-	SA	2
24-1	2	P321	DE61-90319A	HOLDER-STIRR TEFLON; TEFLON,20G	SNA	2
24-2	2	P182	DE31-30035A	FAN-STIRRER; CM1819,Al,25*108,T1.2	SNA	2
24-3	2	P251	DE72-80068A	SHAFT-STIRRER; Commercial,Al,L45,18,CM-18	SNA	2
25	1	P074	DE92-90514A	ASSY-BACK COVER; CM-1819,-,CM-1829,	SA	1
25-1	2	P186	DE71-60421A	COVER BACK; EGI-SECC,T0.6,W481.8,L363.9,C	SNA	1
25-2	2	P026	DE72-50087A	DUCT-EXHAUST; ALCOAT-SA1C,T0.6	SA	3
26	1	C165	DE97-00562A	ASSY COVER PANEL; CM1019,PP+SGL,-,-	SA	1
26-1	2	M087	DE63-00315A	COVER STIRRER; CM1019,PP,NATUAL	SA	1
26-2	2	M051	DE63-00324A	COVER-CEILING; CM1019,MICA SHEET,T1,W234,	SA	1
27	1	M425	DE92-90516B	ASSY BRACKET FILTER; CM1819,-,-,-	SA	1

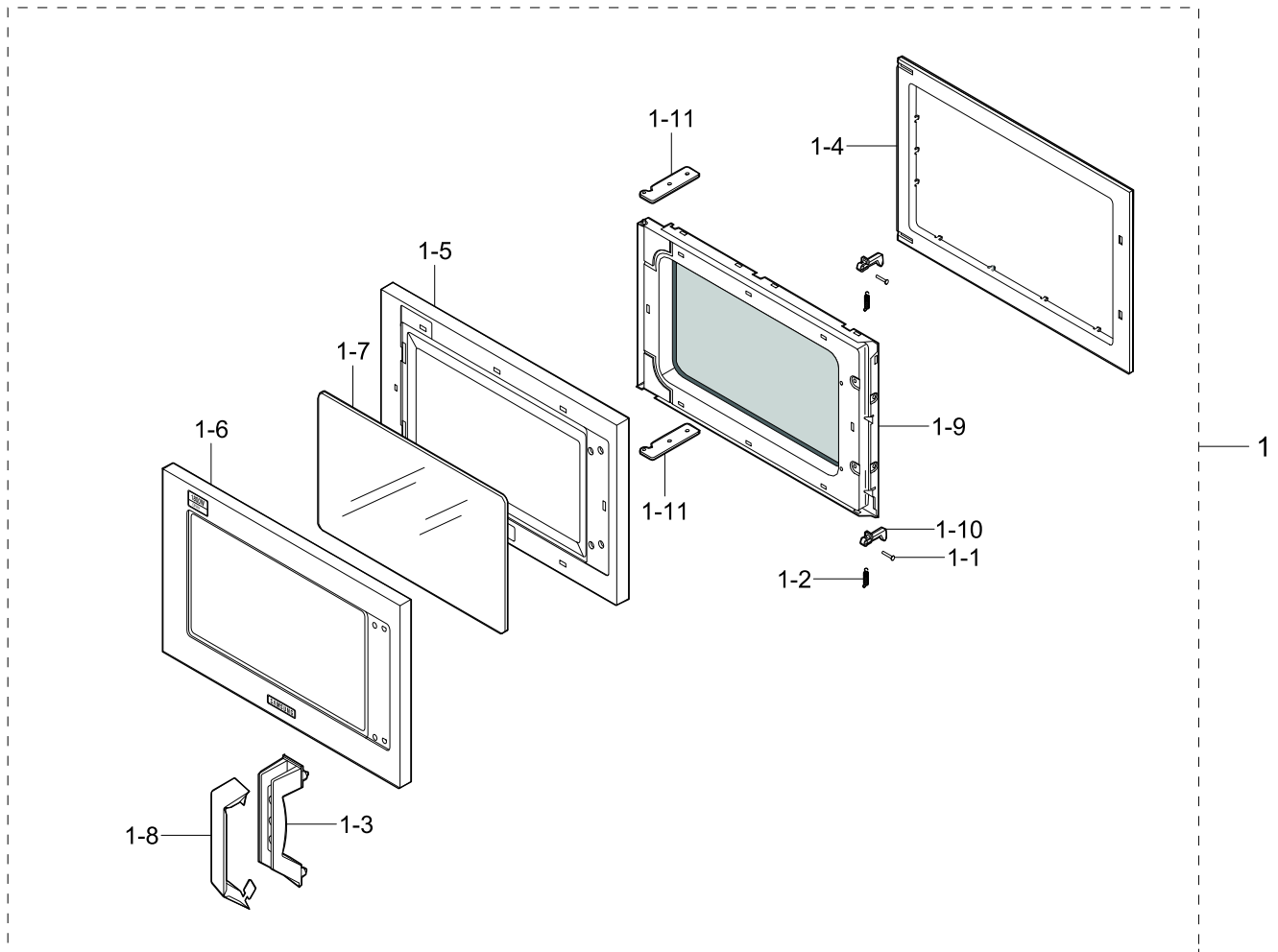
No.	Lvl.	Loc.	Material Code	Description & Specification	SNA	Qty.
27-1	2	P003	DE61-50521B	BRACKET-FILTER; CM1819,STAINLESS-STSS430,T	SNA	1
28	1		DE92-90519B	ASSY DUCT AIR; CM1929B,COMMERCIAL,STSS430	SNA	1
28-1	2	M440	DE47-20008A	THERMOSTAT; AC125/250V,15/10A,100C,60C,Ho	SA	1
28-2	2		DE72-50091B	DUCT AIR; CM1929B,COMMERCIAL,STS430,T0.4	SNA	1
28-3	2	P021	DE63-00008M	CUSHION SPONGE; PUR FOAM,PUT-FOAM,T2,W8,L	SNA	1
29	1		DE94-03465C	ASSY HOLDER-WIRE; MWO,DE93-20097E+DE96-00	SNA	1
29-1	2	B022	DE93-20097E	ASSY BODY LATCH; CM1819/1829,EUROPE	SA	1
29-1-1	3	S0021	3405-001055	SWITCH-MICRO; 125/250VAC,16A,200gf,SPST-N	SC	2
29-1-2	3	B048	3405-001034	SWITCH-MICRO; 125/250VAC,16A,200gf,SPST-N	SA	1
29-1-3	3	B005	DE61-00066A	SPRING-Q; CM1819/1829,MSWR-SWRM,PI0.8	SNA	1
29-1-4	3	B077	DE66-40062A	LATCH BODY; CM-1819,PBT,NATURAL	SA	1
29-1-5	3	B012	DE66-90107A	LEVER SWITCH; PBT+GF,VB-5050G,NATURAL	SA	1
29-1-6	3	B013	DE66-90108A	LEVER SWITCH; PBT+GF,VB-5050G,NATURAL	SA	1
29-1-7	3	B046	3405-001032	SWITCH-MICRO; 125/250VAC,16A,200gf,SPDT,T	SA	2
29-2	2	W002	DE96-00503A	ASSY WIRE HARNESS-MAIN; Heavy COmmercial,	SA	1
30	1	M155	DE93-10106F	ASSY BASE PLATE; CM1029/XEU,COATING	SNA	1
30-1	2	M155	DE93-10106C	ASSY BASE PLATE; CM1819,SECC,-,-	SA	1
30-1-1	3	M048	DE80-10113C	BASE PLATE; CM1819,EGI-SECC,T1	SNA	1
30-1-2	3	P076	DE61-50546A	BRACKET-BASE; EGI-SECC,T1,W25,L34	SNA	2
31	1	P073	DE61-50538A	BRACKET-PLATE; EGI-SECC,T1	SA	1
32	1	P021	DE63-00008K	CUSHION SPONGE; PUR FOAM,PUT-FOAM,T2,W8,L	SNA	1
33	1	P021	DE63-00009T	CUSHION SPONGE; PUR FOAM,T50,W8,L530,BLK	SNA	1
34	1	M056	DE63-90062C	CUSHION-HVT; NEOPRENE RUBBER,T18,W30,L50	SA	2
36	2	Z780	DE71-20261A	CAVITY UP; STS430,T0.5,W467,L521.2	SNA	1
37	2	M515	DE92-90507A	ASSY WAVE GUIDE; CM-1819,-,-,-	SNA	2
38	2	M213	DE71-20260A	CAVITY MAIN; STS430,T0.5	SNA	1
39	2		DE94-01333A	ASSY CAVITY FRONT; COMMERCIAL,1,-,-,-,-	SNA	1
40	1	M042	DE91-70061A	ASSY H.V.FUSE; THV060T,5KV,800mA,SCREW,WH	SA	2

Exploded Views and Parts List

No.	Lvl.	Loc.	Material Code	Description & Specification	SNA	Qty.
41	2	Z122	DE61-50513B	BRACKET-HINGE(U); EGI-SECC,T1	SNA	1
42	2	Z035	DE61-50514B	BRACKET-HINGE(L); EGI-SECC,T1,CM-1819	SNA	1

2. Assy Door

Exploded View



Parts List

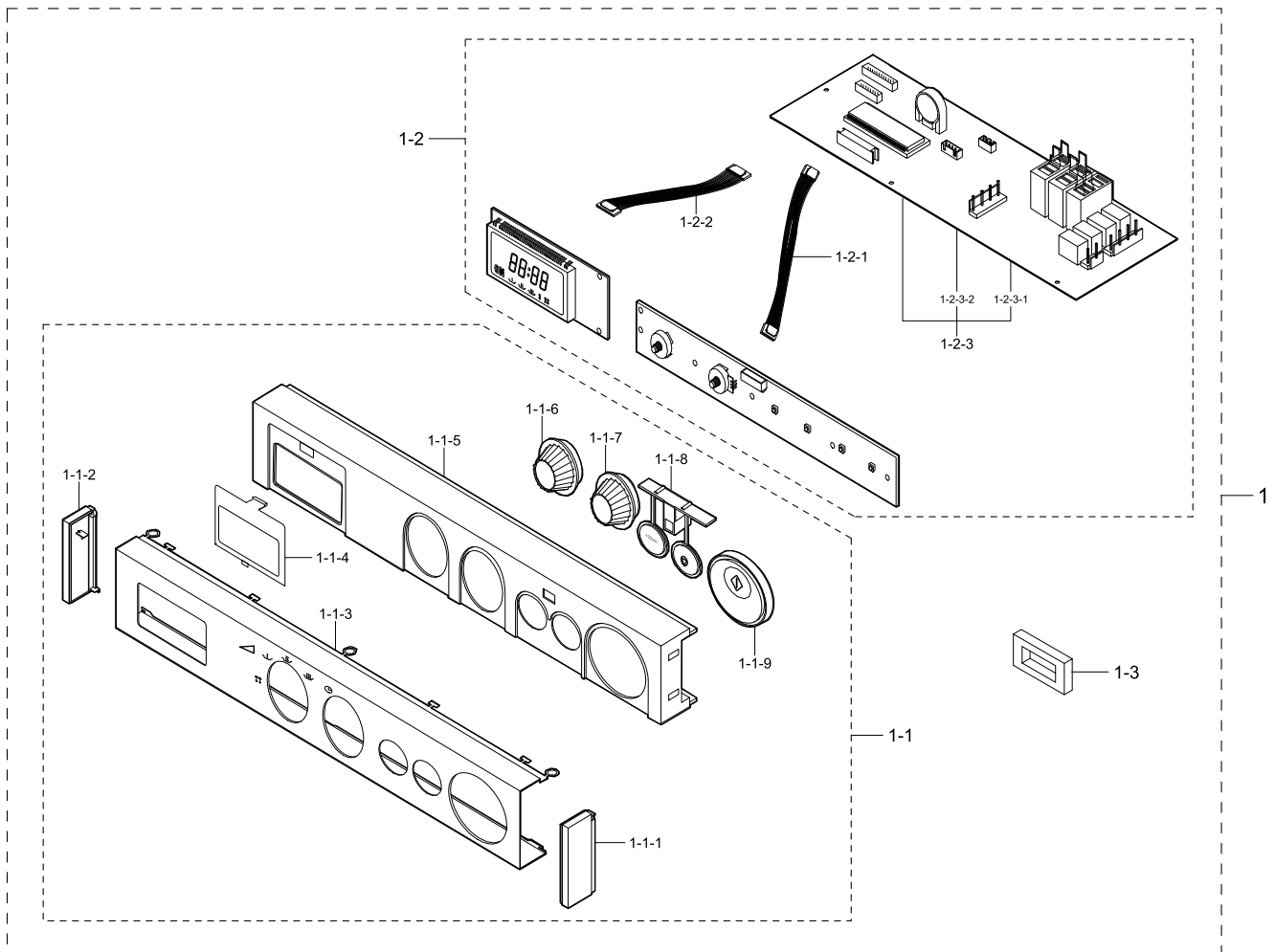
No.	Lvl.	Loc.	Material Code	Description & Specification	SNA	Qty.
1	1	D049	DE94-05010A	ASSY DOOR; CM1919,STS,-,1900W	SA	1
1-1	2	D018	DE60-60080A	PIN-KEY; STS304,L23	SA	2
1-2	2	D007	DE61-70144A	SPRING-KEY; HSWR-SWRH,PI1.0,OD6.5,L32.8,2	SA	2
1-3	2	D019	DE64-20123A	HANDLE; CM-1819,ZN,-,-,-,CM-1819,-	SNA	1
1-4	2	D006	DE64-03093A	DOOR C; CM1919A/XEU,PP,T2,W266,L464,HB,BL	SNA	1
1-5	2	D021	DE64-03092A	DECORATION DOOR; CM-1819,ABS,-,GE BLACK,K	SNA	1
1-6	2	D022	DE64-90146B	DECORATION COVER DOOR; STAINLESS-ST5430,C	SNA	1
1-7	2	D024	DE64-03103A	SCREEN DOOR; CM1919,GLASS,3.2,198.5,364,1	SNA	1
1-8	2	D026	DE71-60433B	COVER HANDLE; CM1929A,STS430,T0.5	SNA	1

Exploded Views and Parts List

No.	Lvl.	Loc.	Material Code	Description & Specification	SNA	Qty.
1-9	2	D004	DE94-05008A	ASSY DOOR E; CM-1819,-,BLK,COATING	SNA	1
1-10	2	D011	DE64-40296B	DOOR-KEY; CMO COMMERCIAL,CR3C + ZINC DIEC	SA	2
1-11	2	D008	DE61-80138A	HINGE; EGI-SECC,T3,W24.5,L29.5	SA	2

3. Assy Control Box

Exploded View



Parts List

No.	Lvl.	Loc.	Material Code	Description & Specification	SNA	Qty.
1	1	C082	DE94-05003A	AASSY CONTROL BOX;MM26A6091AT,STSS,ABS	SNA	1
1-1	2	C001	DE94-05004A	AASSY CONTROL PANEL;MM26A6091AT,STSS,ABS	SA	1
1-1-1	3	C023	DE71-60429B	COVER PARTITION-BACK; CM1019,ABS,-,-,-,-,	SA	1
1-1-2	3	C022	DE71-60428B	COVER-PANEL(L/L); CM1019,ABS,-,-,-,-,-,-,	SA	1
1-1-3	3	C021	DE64-03094A	CHASSIS PANEL;MJ6000A,STS430J1L,T0.5	SA	1
1-1-4	3	C009	DE67-40161B	WINDOW-DISPLAY; CM1929,PMMA,SMOG	SA	1
1-1-5	3	C020	DE64-03096A	PANEL CONTROL; MJ6000A, ABS,W462.8,L64.8,HB,HG-0760SR,GE BLACK	SNA	1
1-1-6	3	C027	DE64-03095A	KNOB SELECT;MJ6000A,ABS,HB,GE BLACK	SA	1
1-1-7	3	C031	DE64-03098A	KNOB TIMER;MJ6000A,ABS,HB,GE BLACK	SA	1

Exploded Views and Parts List

No.	Lvl.	Loc.	Material Code	Description & Specification	SNA	Qty.
1-1-8	3	C010	DE64-03097A	BUTTON SELECT;MJ6000A,ABS,HB,GE BLACK,NEO SILVER	SA	1
1-1-9	3	C019	DE64-03099A	BUTTON START;MJ6000A,ABS,HB,GE BLACK,NEO SILVER	SA	1
1-2	2	F316	DE92-03495A	ASSY PCB MAIN; EUP / RCS-SMS2CM-00,CM1919	SA	1
1-2-1	3	C033	DE39-40694A	ASSY WIRE HARNESS-SUB; CM1929,230VAC,IEC,	SA	1
1-2-2	3	W001	DE39-40692A	ASSY WIRE HARNESS-SUB; CM1819/29,230VAC,I	SA	1
1-2-3	3	Y066	DE92-02173A	ASSY PCB SUB; SMS2CM SUB ECD,CM1919/XEU,N	SNA	1
1-2-3-1	4	Y046	DE34-00040A	SWITCH-ENCODER; -,28VDC,10mA,8-STEP,-,JES	SA	1
1-2-3-2	4	Y046	DE34-00041A	SWITCH-ENCODER; -,28VDC,10mA,ENDLESS,-,JE	SA	1
1-3	2	C058	DE63-00634A	CUSHION-PCB; HEAVY-COMMERCIAL MWO,PUR FOA	SNA	1