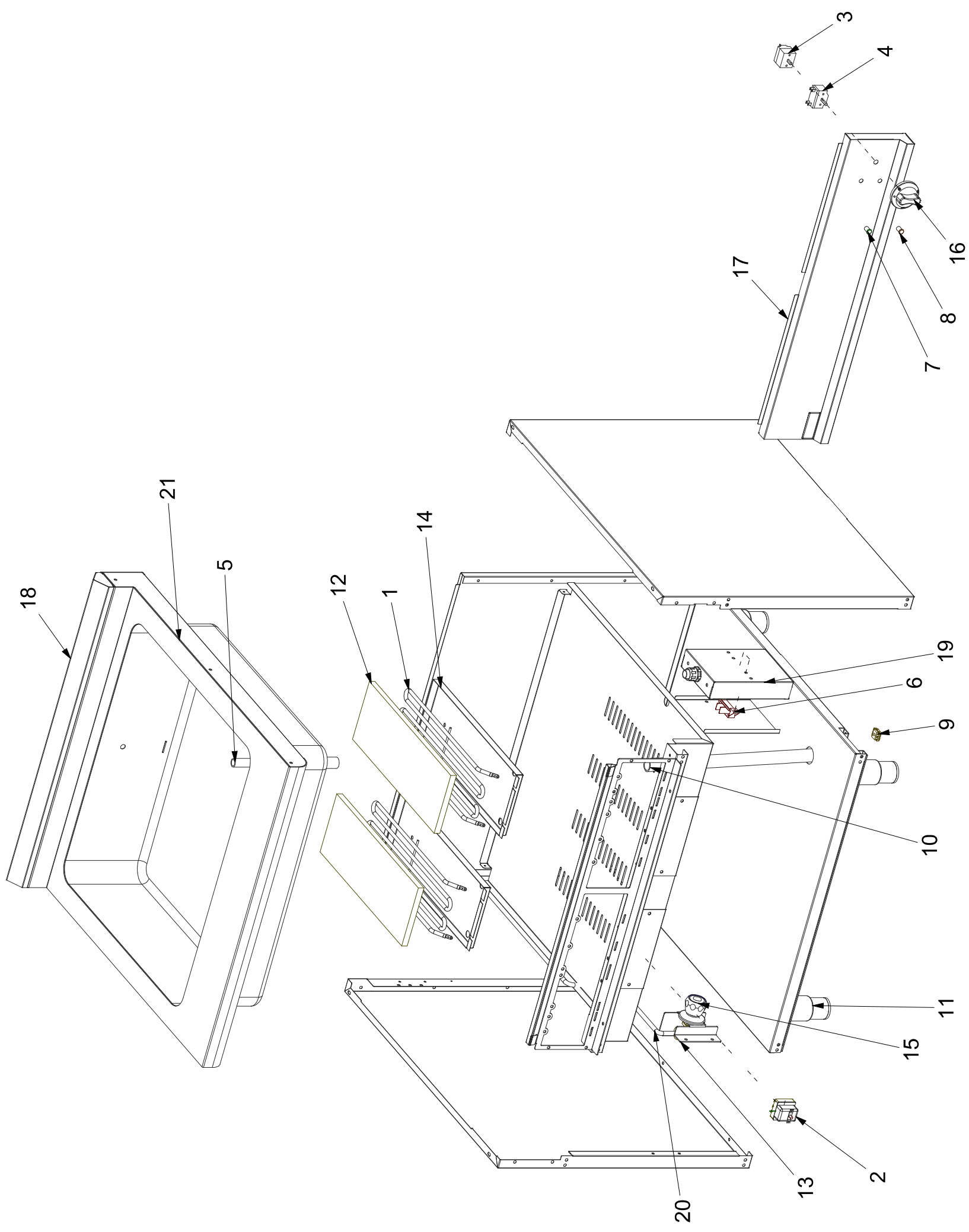


N. ELEMENTO.	NUMERO PARTE
1	07-99600059 RESISTOR 1,8KW 230V
2	08-99600069 SAFETY THERMOSTAT 120°
3	08-99900149 WORKING THERMOSTAT 110°
4	09-16520049 2-POLES SWITCH
5	14-99700422 OVERFLOW PIPE 3/4 50H
6	14-99900749 3-POLES TERMINAL
7	14-99901620 GREEN WARNING LIGHT
8	14-99901621 ORANGE WARNING LIGHT
9	14-99902115 ELEMENT FOR GROUNDING
10	15-99900229 PIPE FOR WATER DISCHARGE
11	15-99901801 STANDARD FOOT D.58X120-185H
12	42-19811669 INSULATION
13	23-99600643 TAP SUPPORTING ELEMENT
14	23-99702239 BOX FOR RESISTOR
15	25-99900219 WATER TAP
16	29-99701009 KNOB
17	FRONTAL PANEL
18	NEUTRAL GRID FOR CHIMNEY
19	KIT FOR ELECTRIC BOX
20	15-99900219 TUBE FOR WATER INLET
21	WA-83300039 TOP



CASTA s.r.l.

Stab. 1 e 3 - Via F.lli Lumière, 11 - Z.I. Villa Selva
 Stab. 2 - Via F.lli Lumière, 30 - Z.I. Villa Selva
 47122 Forlì - FC - IT
 www.castacom - e-mail: casta@casta.com
 Tel. +39.0543.782920 - Fax+39.0543.782925

Cliente:

Prodotto: LQ-BME2BA

kW gas: kW elettrico:

Data: 02/12/2021 Revisione: del 02/12/2021 Scala: Designer:
 1:10 Andrea Francini

Note: